

Linear Luminaire Sheet Steel for Fluorescent Lamps

Series 6014/1



www.stahl.de



- > For use in Zones 1, 2, 21, 22
- > In 2- or 4-lamp version
- > Powder-coated sheet-steel or stainless steel
- > Central lock
- > All-pole disconnection when the lamp is opened

E2



16958E00

Series 6014 light fittings are preferred for use in spraying and painting installations.

Zone	ATEX / IECEx					
	0	1	2	20	21	22
For use in		x	x		x	x

WebCode 6014B

Linear Luminaire Sheet Steel for Fluorescent Lamps

Series 6014/1

Selection Table

Version	Cable glands	Number of lamps	Width mm	Lamp wattage W	Size	Material	Order number	Weight kg				
Linear Luminaire Sheet Steel for Fluorescent Lamps Series 6014/11	3 x M25	2	280	18	2	Sheet steel	6014/1112-2951-1100-11	13.160				
						Stainless steel	6014/1112-2951-1100-14	13.340				
		4	36	4	58	6	Sheet steel	6014/1114-2951-1100-11	21.520			
							Stainless steel	6014/1114-2951-1100-14	21.730			
		4	58	6	380	18	2	Sheet steel	6014/1116-2951-1100-11	25.770		
								Stainless steel	6014/1116-2951-1100-14	25.770		
		4	36	4	58	6	380	18	2	Sheet steel	6014/1122-4951-1100-11	15.270
										Stainless steel	6014/1122-4951-1100-14	15.400
		4	36	4	58	6	380	18	2	Sheet steel	6014/1124-4951-1100-11	24.480
										Stainless steel	6014/1124-4951-1100-14	24.610
	4	58	6	380	18	2	2	2	Sheet steel	6014/1126-4951-1100-11	29.320	
									Stainless steel	6014/1126-4951-1100-14	29.320	
	3 x M20	2	280	18	2	2	Sheet steel	6014/1112-2958-1100-11	13.130			
							Stainless steel	6014/1112-2958-1100-14	13.310			
		4	36	4	58	6	380	18	2	Sheet steel	6014/1114-2958-1100-11	21.490
										Stainless steel	6014/1114-2958-1100-14	21.700
		4	58	6	380	18	2	2	2	Sheet steel	6014/1116-2958-1100-11	25.740
										Stainless steel	6014/1116-2958-1100-14	25.740
		4	36	4	58	6	380	18	2	Sheet steel	6014/1122-4958-1100-11	15.240
										Stainless steel	6014/1122-4958-1100-14	15.380
4		36	4	58	6	380	18	2	Sheet steel	6014/1124-4958-1100-11	24.450	
									Stainless steel	6014/1124-4958-1100-14	24.580	
4	58	6	380	18	2	2	2	Sheet steel	6014/1126-4958-1100-11	29.270		
								Stainless steel	6014/1126-4958-1100-14	29.270		

Order Number Supplement

Connection terminal	Spring clamp terminal up to 4 mm ²	6014/1...-.....-1
	Screw terminal up to 6 mm ²	6014/1...-.....-4

Note

The lights are delivered without fluorescent lamps and assembly parts. These parts must be ordered separately!

Explosion Protection

Global (IECEx)

Gas and dust	IECEx BVS 13.0110 Ex db eb IIC T4 Gb Ex tb IIIC T80 °C Db
--------------	---

Europe (ATEX)

Gas and dust	BVS 13 ATEX E 109 ⊕ II 2 G Ex db eb IIC T4 Gb ⊕ II 2 D Ex tb IIIC T80°C Db
--------------	--

Certifications and certificates

Certificates	IECEx, ATEX, EAC (TR)
--------------	-----------------------

Linear Luminaire Sheet Steel for Fluorescent Lamps

Series 6014/1





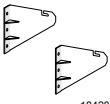

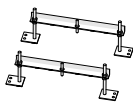
Technical Data

Electrical data			
Control gear		6014/1...-...-1...-	6014/1..-...-4...-
Lamp start		Cold start	Cold start
Voltage		220 to 240 V AC	110 to 240 V AC
DC voltage in case of ignition		198 to 264 V DC	104 to 264 V DC
DC voltage during operation		176 to 264 V DC	104 to 264 V DC
Frequency		0 / 50 to 60 Hz	0 / 50 to 60 Hz
Lamp operation DC		6014/111.-...-1...-	
		1-lamp (standard)	1-lamp (standard)
		6014/112.-...-1...-	
		2-lamp (standard)	2-lamp (standard)
Lamp standard		IEC 60081	IEC 60081
Lamp wattage		18 W, 36 W, 58 W	18 W, 36 W
Nominal current		2 x 18 W: 150 to 170 mA 2 x 36 W: 300 to 320 mA 2 x 58 W: 460 to 500 mA 4 x 18 W: 300 to 340 mA 4 x 36 W: 600 to 640 mA 4 x 58 W: 920 to 1000 mA	2 x 18 W: 170 to 345 mA 2 x 36 W: 310 to 660 mA 4 x 18 W: 340 to 690 mA 4 x 36 W: 620 to 1320 mA
Power factor cos φ		≥ 0.96	
Ambient conditions			
Operating temperature range		-35 to +60 °C (version 18 W, 36 W) -35 to +50 °C (version 58 W)	
Mechanical data			
Degree of protection		IP65 IP64 when using breather 8162 IP66 for luminaire with frame (IEC 60598)	
Protection class		I (with internal PE connection)	
Material			
Enclosure		Sheet steel powder coated Stainless steel SS304 (V2A 1.4301) brushed Stainless steel SS316L (V4A 1.4404) brushed	
Lens		Safety glass	
Seal		Silicone, foamed in luminaire enclosure	
Luminaire locking		Central locking; glass cover hinged for access	
Colour		White, similar RAL 9016	
Mounting / Installation			
Cable glands		Included as standard: 1 x M20 / M25 left 2 x M20 / M25 right 1 x cable gland 1 x cable gland with red plug 1 x stopping plug	
Connection		Spring clamp terminal up to 4 mm ² 3-pole (2x L1, 2x N, 2x PE) 5-pole (2x L1, 2x L2, 2x L3, 2x N, 2x PE) Screw terminal up to 6 mm ² 3-pole (2x L1, 2x N, 2x PE) 5-pole (2x L1, 2x L2, 2x L3, 2x N, 2x PE)	
Through wiring		Optional (max. 12 A)	
Assembly		suitable as pendant light fitting, wall mounted luminaire and recessed light fitting Pendant light fitting 2x M8 threads at the back of the luminaire for use of ring eyes or other mounting accessories. Wall mounted luminaire M8 threads on both sides of the luminaire for mounting of wall mounting brackets. Recessed light fitting Variant 1: fixing frame welded to enclosure Variant 2: fixing frame attached to the enclosure with M6 screws Note: For both installation versions, the luminaires must either be mounted on the back or the sides of the luminaire using the M8 threads.	

E2

Linear Luminaire Sheet Steel for Fluorescent Lamps Series 6014/1

Accessories and Spare Parts

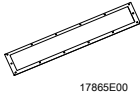
Designation	Figure	Description	Art. no.	Weight kg
Fluorescent lamps	 04936E00	18 W 1350 lm	108952	0.100
		36 W 3350 lm	108951	0.200
		58 W 5200 lm	108950	0.220
Breather	 05703E00	for installation in lights; in moulded material; without counter nut		
		Thread: M25 x 1.5 1 piece	138573	0.010
		Thread: M25 x 1.5 20 pieces	138576	0.200
Mounting set wall	 18428E00	For version with 280 mm width	226700	1.733
		For version with 380 mm width	226699	3.807
Attaching frame	 17865E00	Attaching frame for fulfilling IP degree of protection IP66		
		Size Width Material		
		2 280 mm Sheet steel, powder-coated	245950	2.329
		2 280 mm SS316L stainless steel (V4A 1.4404)	245972	2.359
		4 280 mm Sheet steel, powder-coated	245973	3.383
		4 280 mm SS316L stainless steel (V4A 1.4404)	245975	3.433
		6 280 mm Sheet steel, powder-coated	245976	3.731
		6 280 mm SS316L stainless steel (V4A 1.4404)	245978	3.781
		2 380 mm Sheet steel, powder-coated	245979	2.445
		2 380 mm SS316L stainless steel (V4A 1.4404)	245981	2.475
		4 380 mm Sheet steel, powder-coated	245982	3.499
		4 380 mm SS316L stainless steel (V4A 1.4404)	245984	3.549
		6 380 mm Sheet steel, powder-coated	245985	3.851
		6 380 mm SS316L stainless steel (V4A 1.4404)	245987	3.911
Ceiling mounting fastening kit	 18429E00	Fastening set for wall and ceiling mounting of light fitting. Material: sheet steel Width:		
		280 mm	230082	1.644
		380 mm	230081	1.868

Linear Luminaire Sheet Steel for Fluorescent Lamps

Series 6014/1

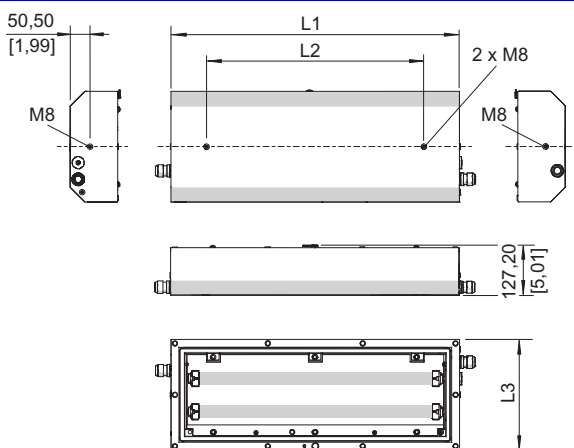


Accessories and Spare Parts

Designation	Figure	Description	Art. no.	Weight kg		
Flushing frame	 <p>17865E00</p>	Mounting frame for ceiling or wall mounting, fulfilling IP degree of protection IP66 (ceiling fastening set also required)				
		Size	Width	Material		
		2	280 mm	Sheet steel, powder-coated	226551	2.859
		2	280 mm	SS316L stainless steel (V4A 1.4404)	226553	2.899
		4	280 mm	Sheet steel, powder-coated	226554	4.213
		4	280 mm	SS316L stainless steel (V4A 1.4404)	226556	4.283
		6	280 mm	Sheet steel, powder-coated	226557	4.711
		6	280 mm	SS316L stainless steel (V4A 1.4404)	226559	4.781
		2	380 mm	Sheet steel, powder-coated	226560	3.025
		2	380 mm	SS316L stainless steel (V4A 1.4404)	226562	3.075
		4	380 mm	Sheet steel, powder-coated	226563	4.371
		4	380 mm	SS316L stainless steel (V4A 1.4404)	226565	4.441
		6	380 mm	Sheet steel, powder-coated	226566	4.871
		6	380 mm	SS316L stainless steel (V4A 1.4404)	226568	4.951

E2

Dimensional Drawings (All Dimensions in mm [inches]) – Subject to Alterations

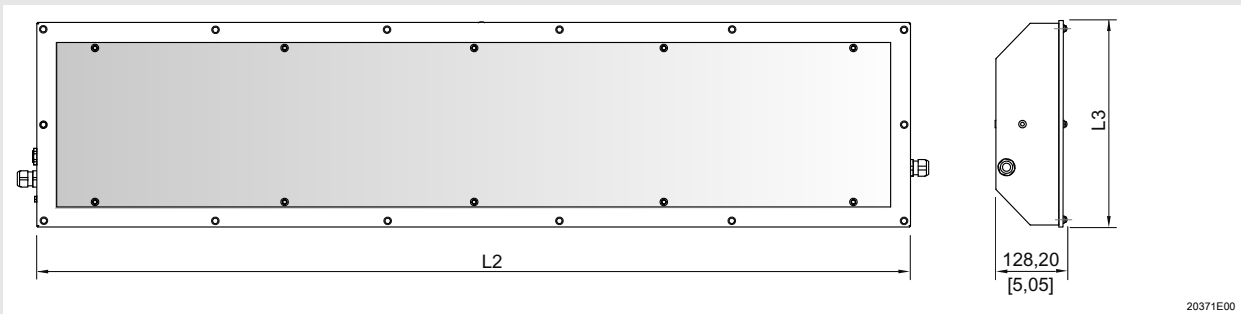


16655E00

Light Fitting universal for IP65

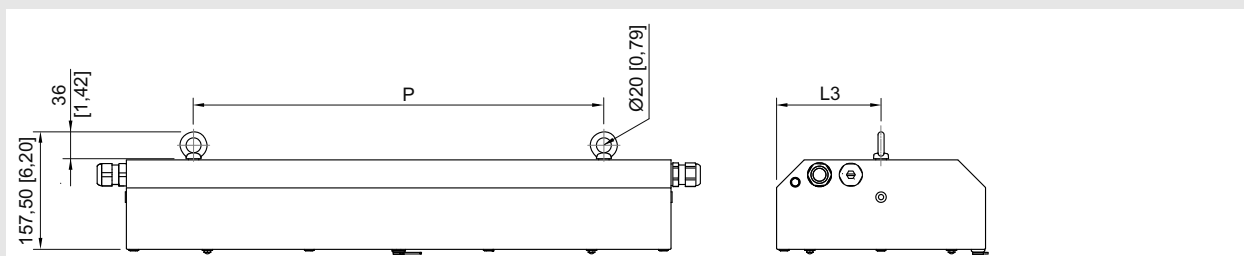
	18 W		36 W		58 W	
Number of Lamps	2	4	2	4	2	4
L1	733 [28.86]	733 [28.86]	1343 [52.87]	1343 [52.87]	1643 [64.69]	1643 [64.69]
L2	550 [21.65]	550 [21.65]	950 [37.40]	950 [37.40]	1250 [49.21]	1250 [49.21]
L3	280 [11.02]	380 [14.96]	280 [11.02]	380 [14.96]	280 [11.02]	380 [14.96]

Linear Luminaire Sheet Steel for Fluorescent Lamps Series 6014/1



Light Fitting universal wall pendant mounting with frame for IP66

	18 W		36 W		58 W	
Number of Lamps	2	4	2	4	2	4
L2	735 [28.94]	735 [28.94]	1345 [52.95]	1345 [52.95]	1645 [64.76]	1645 [64.76]
L3	285 [11.22]	385 [15.16]	285 [11.22]	385 [15.16]	285 [11.22]	385 [15.16]



Mounting with ring bolts

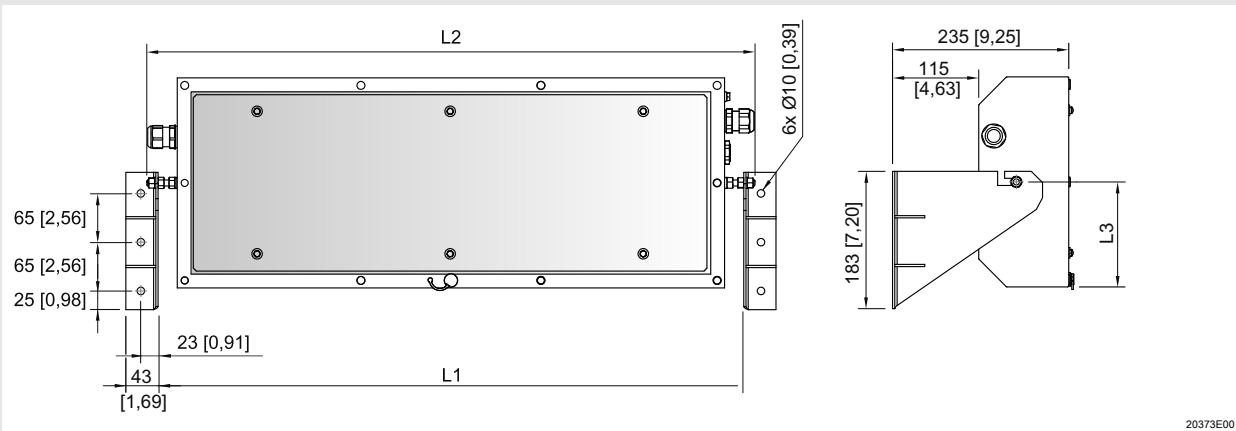
	18 W		36 W		58 W	
Number of Lamps	2	4	2	4	2	4
P	550 [21.65]	550 [21.65]	950 [37.40]	950 [37.40]	1250 [49.21]	1250 [49.21]
L3	140 [5.51]	190 [7.48]	140 [5.51]	190 [7.48]	140 [5.51]	190 [7.48]

Linear Luminaire Sheet Steel for Fluorescent Lamps

Series 6014/1



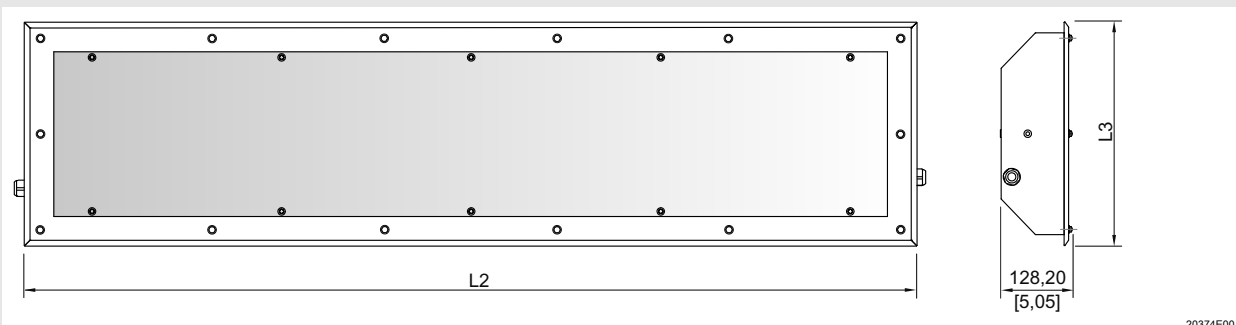
E2



20373E00

Mounting on wall or ceiling

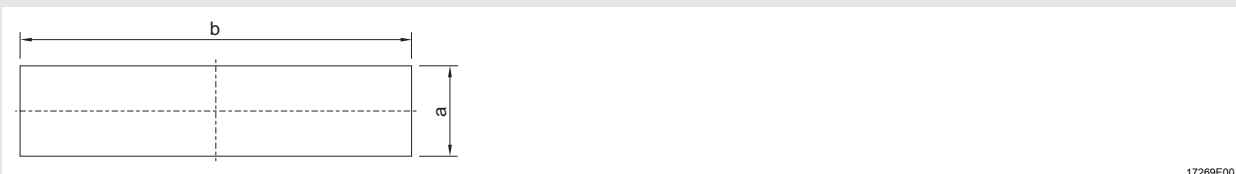
	18 W		36 W		58 W	
Number of Lamps	2	4	2	4	2	4
L1	781 [30.75]	781 [30.75]	1391 [54.76]	1391 [54.76]	1691 [66.58]	1691 [66.58]
L2	811 [31.93]	811 [31.93]	1421 [55.95]	1421 [55.95]	1721 [67.76]	1721 [67.76]
L3	140 [5.51]	190 [7.48]	140 [5.51]	190 [7.48]	140 [5.51]	190 [7.48]



20374E00

Light Fitting universal with frame for recessed mounting for IP66

	18 W		36 W		58 W	
Number of Lamps	2	4	2	4	2	4
L2	771 [30.35]	771 [30.35]	1381 [54.37]	1381 [54.37]	1681 [66.18]	1681 [66.18]
L3	321 [12.64]	421 [16.58]	321 [12.64]	421 [16.58]	321 [12.64]	421 [16.58]

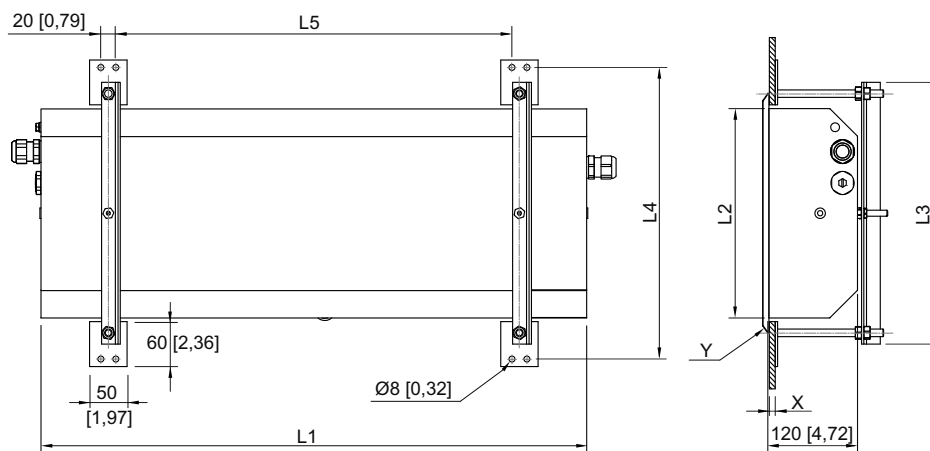


17269E00

Mounting Cut-Out

	18 W		36 W		58 W	
Number of Lamps	2	4	2	4	2	4
a	290 [11.42]	390 [15.35]	290 [11.42]	390 [15.35]	290 [11.42]	390 [15.35]
b	743 [29.25]	743 [29.25]	1353 [53.27]	1353 [53.27]	1653 [65.08]	1653 [65.08]

Linear Luminaire Sheet Steel for Fluorescent Lamps Series 6014/1



20375E00

Recessed mounting in wall or ceiling

	18 W		36 W		58 W	
Number of Lamps	2	4	2	4	2	4
L1	733 [28.86]	733 [28.86]	1343 [52.87]	1343 [52.87]	1643 [64.69]	1643 [64.69]
L2	280 [11.02]	380 [14.96]	280 [11.02]	380 [14.96]	280 [11.02]	380 [14.96]
L3	350 [13.78]	450 [17.72]	350 [13.78]	450 [17.72]	350 [13.78]	450 [17.72]
L4	390 [15.35]	490 [19.29]	390 [15.35]	490 [19.29]	390 [15.35]	490 [19.29]
L5	530 [20.87]	530 [20.87]	930 [36.61]	930 [36.61]	1230 [48.43]	1230 [48.43]

X – ceiling clamp for X = 10 [0.39] to 125 [4.92]

Y – frame for recessed mounting can be ordered as accessory

We reserve the right to make alterations to the technical data, dimensions, weights, designs and products available without notice. The illustrations cannot be considered binding.