



- Suitable for wall, ceiling and suspended mounting
- Available with DALI or ILS technology
- Emergency exit signs with suspended panel so that they can be read from both sides
- Large recognition distance $d \geq 30$ m
- Lightweight, robust and compact design

E2

WebCode 6102A



C-LUX 6102 series compact light fittings can be used for normal lighting or as emergency luminaires in conjunction with escape route signs and/or with ILS for programmable use in central battery systems.

	IECEx / ATEX					
Zone	0	1	2	20	21	22
Installation in		•	•		•	•

Selection Table							
Lamp	LED						
Figure	Version	Colour temperature	Luminous flux	Control interface	Product Type	Art. No.	Weight kg
	escape downstairs, single-sided	-	-	without	6102/111-0100-150-0111-31-1850-D1	287773 ▲	3.570
		-	-	DALI	6102/111-0110-170-0111-31-1850-D1	287785	3.570
		-	-	internal adress modul	6102/111-0130-150-0111-31-1850-D1	287793	3.570
	Escape route upstairs single-sided	-	-	without	6102/111-0100-150-0111-31-1850-C1	287772 ▲	3.570
		-	-	DALI	6102/111-0110-170-0111-31-1850-C1	287784	3.570
		-	-	internal adress modul	6102/111-0130-150-0111-31-1850-C1	287792	3.570
	escape to the left, single-sided	-	-	without	6102/111-0100-150-0111-31-1850-B1	287771 ▲	3.570
		-	-	DALI	6102/111-0110-170-0111-31-1850-B1	287783	3.570
		-	-	internal adress modul	6102/111-0130-150-0111-31-1850-B1	287791	3.570
	escape to the left/right, double-sided	-	-	without	6102/111-0100-150-0111-31-1850-A2	287700 ▲	3.570
		-	-	DALI	6102/111-0110-170-0111-31-1850-A2	287782	3.570
		-	-	internal adress modul	6102/111-0130-150-0111-31-1850-A2	287790	3.570
	escape to the right, single-sided	-	-	without	6102/111-0100-150-0111-31-1850-A1	287699 ▲	3.570
		-	-	DALI	6102/111-0110-170-0111-13-1850-A1	287781	3.570
		-	-	internal adress modul	6102/111-0130-150-0111-31-1850-A1	287789	3.570

Selection Table

Lamp		LED					
Figure	Version	Colour temperature	Luminous flux	Control interface	Product Type	Art. No.	Weight kg
	with deflection optics 0-60°	5000 K	490 lm	without	6102/111-0100-150-0111-31-A850-00	287778	3.050
		5000 K	490 lm	DALI	6102/111-0110-170-0111-31-A850-00	287787	3.050
		5000 K	490 lm	internal address modul	6102/111-0130-150-0111-31-A850-00	287796	3.050
	with diffuser 2 x 40°	5000 K	600 lm	without	6102/111-0100-150-0111-31-4850-00	287777 ▲	3.000
		5000 K	600 lm	DALI	6102/111-0110-170-0111-31-4850-00	287786	3.000
		5000 K	600 lm	internal address modul	6102/111-0130-150-0111-31-4850-00	287795	3.000
	without diffuser 15°	5000 K	775 lm	without	6102/111-0100-150-0111-31-0850-00	287698	2.930
		5000 K	775 lm	DALI	6102/111-0110-170-0111-31-0850-00	287780	2.930
		5000 K	775 lm	internal address modul	6102/111-0130-150-0111-31-0850-00	287788	2.930











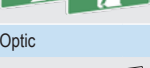
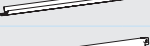

Technical Data

Variant	Control interface: DALI	Control interface: internal address modul	Control interface: without
Explosion Protection			
IECEX gas explosion protection	Ex db eb ib op is IIC T4 Gb	Ex db eb ib op is IIC T4 Gb	Ex db eb ib op is IIC T4 Gb
IECEX dust explosion protection	Ex tb op is IIIC T100 °C Db	Ex tb op is IIIC T100 °C Db	Ex tb op is IIIC T100 °C Db
ATEX gas explosion protection	Ⓜ II 2 G Ex db eb ib op is IIC T4 Gb	Ⓜ II 2 G Ex db eb ib op is IIC T4 Gb	Ⓜ II 2 G Ex db eb ib op is IIC T4 Gb
ATEX dust explosion protection	Ⓜ II 2 D Ex tb op is IIIC T100 °C Db	Ⓜ II 2 D Ex tb op is IIIC T100 °C Db	Ⓜ II 2 D Ex tb op is IIIC T100 °C Db
Certificates	ATEX (IBE), Brazil (ULB), China (NEPSI), IECEx (IBE)	ATEX (IBE), Brazil (ULB), China (NEPSI), IECEx (IBE)	ATEX (IBE), Brazil (ULB), China (NEPSI), IECEx (IBE)
Ship approval	DNVGL	DNVGL	DNVGL
Electrical Data			
Frequency range	50 – 60 Hz	50 Hz	50 – 60 Hz
Operating voltage AC	100...240 V ± 10%	220...240V±10%(w.int.Adr.)	100...240 V ± 10%
Operating voltage AC max.	264 V	264 V (with integrated address module)	264 V
Operating voltage DC	100...250 V ± 10%	194...250 V (with integrated address module)	100...250 V ± 10%
Operating voltage DC max.	275 V	275 V	275 V
Ambient Conditions			
Ambient temperature	-40 °C ... +50 °C Note: Through wiring max. 3x16 A -40 °C ... +60 °C Note: Through wiring 2 max. 3x10 A	-30 °C ... +50 °C Note: Through wiring max. 3x16 A -30 °C ... +60 °C Note: Through wiring 2 max. 3x10 A	-40 °C ... +50 °C Note: Through wiring max. 3x16 A -40 °C ... +60 °C Note: Through wiring 2 max. 3x10 A
Lighting Data			
Lamp	LED	LED	LED
Colour temperature	5000 K	5000 K	5000 K
Colour rendering	≥ 80	≥ 80	≥ 80
Light colour	Cool white	Cool white	Cool white
Mechanical Data			
Degree of protection IP (IEC 60598)	IP66 / IP67	IP66 / IP67	IP66 / IP67
Silicon free	w/o Influence on paint wetting	w/o Influence on paint wetting	w/o Influence on paint wetting
Class	I	I	I
Enclosure material	Thermoset	Thermoset	Thermoset
Cover material	polycarbonate	polycarbonate	polycarbonate
Sealing material	Silicone	Silicone	Silicone

Technical Data			
Variant	Control interface: DALI	Control interface: internal address modul	Control interface: without
Mechanical Data			
Installed terminal strip	PE + N + L1 + L2 + L3 + D1+D2	PE + N- + L++ + L" + N"	PE + N + L1 + L2 + L3
Connection terminals solid max.	6 mm ²	6 mm ²	6 mm ²
Connection terminals finely-stranded max.	4 mm ²	4 mm ²	4 mm ²
Type of connection cable	Finely stranded Solid	Finely stranded Solid	Finely stranded Solid
Impact strength (IEC 62262)	IK08	IK08	IK08
Enclosure colour	Light grey (RAL 7035)	Light grey (RAL 7035)	Light grey (RAL 7035)
Disconnection of the luminaire	No	No	No
Components			
Threaded plate	Plastic	Plastic	Plastic
Ballast	6045/311-841-20 AC/DC DALI	6045/312-842-20 AC/DC int. ADR	6045/311-840-20 AC/DC Standard
Through wiring	Loop in/loop out wiring	Loop in/loop out wiring	Loop in/loop out wiring
Drilled holes	3 x M25	3 x M25	3 x M25
Cable entries	2 x M25 Ø 7 – 17 mm	2 x M25 Ø 7 – 17 mm	2 x M25 Ø 7 – 17 mm
Stopping plug	2 x M25 x 1.5	2 x M25 x 1.5	2 x M25 x 1.5
Stopping plug material	Polyamide, black	Polyamide, black	Polyamide, black
Accessories	Provided	Provided	Provided

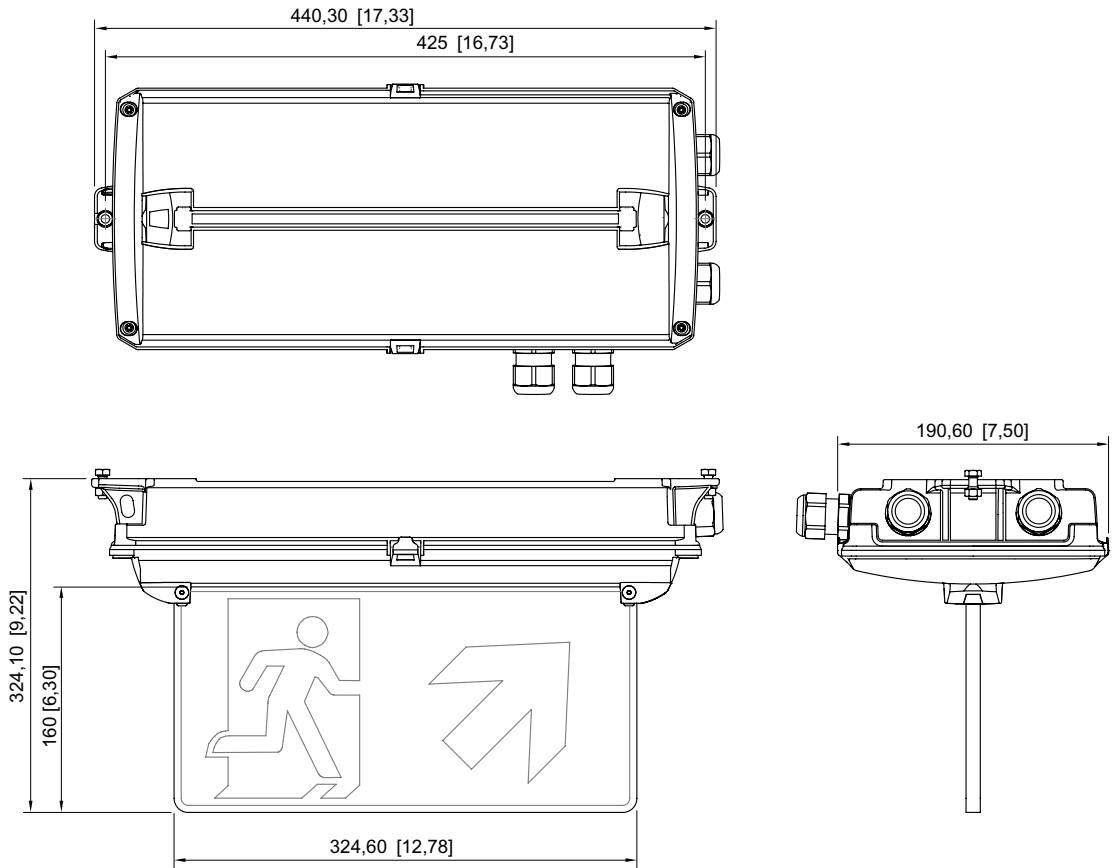
Accessories			
Figure	Description	Art. No.	Weight kg
Fastening set			
	for chain/rope assembly	275407 ▲	0.100
	for wall mounting	275408 ▲	0.400

Spare Parts			
Figure	Description	Art. No.	Weight kg
Light Panel			
	Escape route, down	274776 ▲	0.625
	Escape route, up	274758 ▲	0.625
	Escape route, down double-sided	274780 ▲	0.625
	Escape route, up double-sided	274772 ▲	0.625

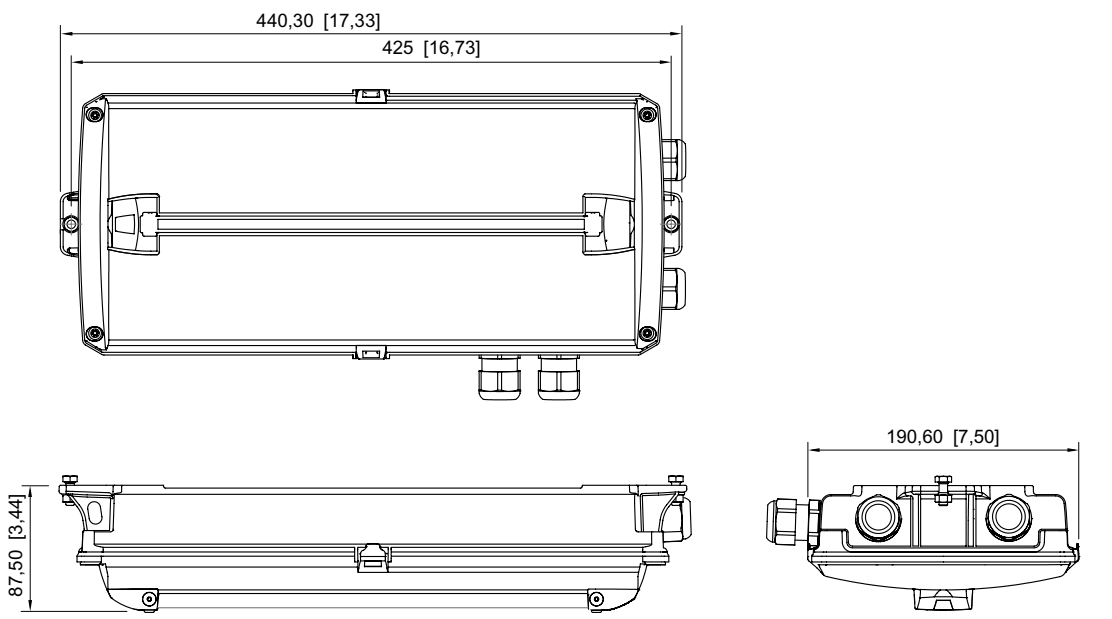
Spare Parts			
Figure	Description	Art. No.	Weight kg
Light Panel			
	Escape route, left	274757 ▲	0.625
	Escape route, right	274775 ▲	0.625
	Escape route left/right double-sided	274773 ▲	0.625
	Escape route stairs, down left	274777	0.625
	Escape route stairs, down right	274778	0.625
	Escape route stairs, down double-sided	274779	0.625
	Escape route stairs, up left	274759	0.625
	Escape route stairs, up right	274760	0.625
	Escape route stairs, up double-sided	274771	0.625
	EXIT	275514	0.625
	Escape route double sided	275872	0.625
Optic			
	Diffuser	274756 ▲	0.025
	Deflection optics	274781	0.270

Dimensional Drawings (All Dimensions in mm [inches]) – Subject to Alterations

E2

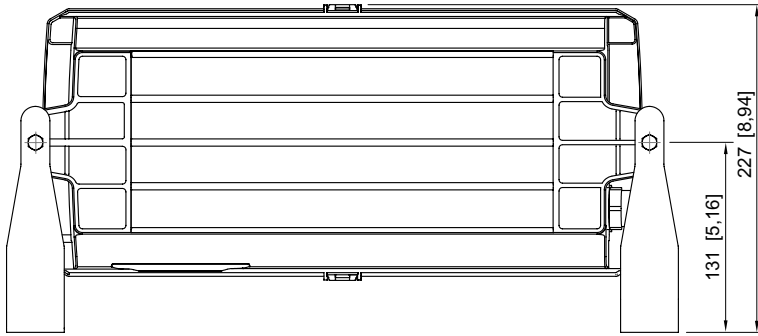
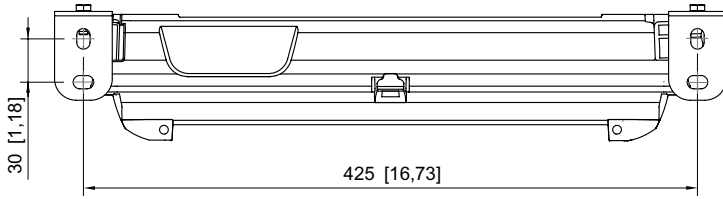


with escape sign

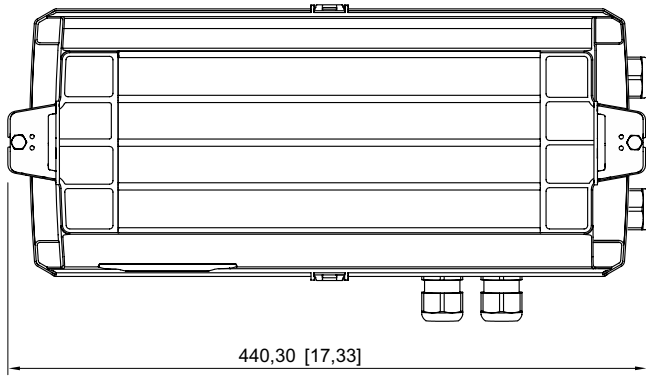
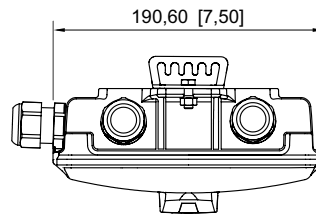
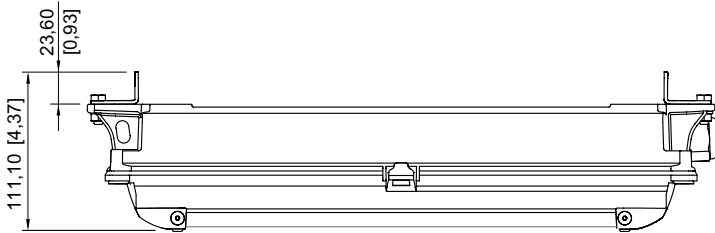


without escape sign

E2



with mounting brackets



for rope/chain mounting