



- Lamp: Flashing beacon – XENON (5 J) / continuous beacon – LED
- Type of protection: Ex d with Ex e connection chamber
- Class: IP66 (IEC 60529)
- Robust aluminium enclosure (powder-coated)
- 6 lens colours available to order

E5

WebCode **6161A**



Product series **6161** can be used as a signal lamp or warning lamp, in areas with an explosive gas atmosphere or explosive dust atmosphere.

	IECEX / ATEX					
Zone	0	1	2	20	21	22
Installation in		•	•		•	•

Selection Table						
Lamp	Flash tubes					
Rated operational voltage AC	Rated operational voltage DC	Lens colour	Product Type	Art. No.	Weight kg	
24 – 42 V	12 – 48 V	Yellow	6161/2-61-121-0-1	120674	1.400	
		Clear	6161/2-61-221-0-1	219802	1.400	
		Red	6161/2-61-321-0-1	120668	1.400	
		Blue	6161/2-61-421-0-1	219803	1.400	
		Green	6161/2-61-521-0-1	263357	1.400	
		Amber	6161/2-61-621-0-1	120680	1.400	
42 – 48 V	60 – 80 V	Clear	6161/2-41-221-0-1	219814	1.400	
		Red	6161/2-41-321-0-1	219815	1.400	
		Blue	6161/2-41-421-0-1	219816	1.400	
		Green	6161/2-41-521-0-1	219819	1.400	
		Amber	6161/2-41-621-0-1	219817	1.400	
110 – 127 V	-	Yellow	6161/2-31-121-0-1	219805	1.400	
		Clear	6161/2-31-221-0-1	219806	1.400	
		Red	6161/2-31-321-0-1	219807	1.400	
		Blue	6161/2-31-421-0-1	219808	1.400	
		Green	6161/2-31-521-0-1	219810	1.400	
		Amber	6161/2-31-621-0-1	219809	1.400	

Selection Table					
Lamp		Flash tubes			
Rated operational voltage AC	Rated operational voltage DC	Lens colour	Product Type	Art. No.	Weight kg
230 V	-	Yellow	6161/2-11-121-0-1	120648	1.300
		Clear	6161/2-11-221-0-1	219249	1.400
		Red	6161/2-11-321-0-1	120655	1.400
		Blue	6161/2-11-421-0-1	219250	1.400
		Green	6161/2-11-521-0-1	219801	1.400
		Amber	6161/2-11-621-0-1	120662	1.400
Lamp		LED			
Rated operational voltage AC	Rated operational voltage DC	Lens colour	Product Type	Art. No.	Weight kg
24 V	24 V	Yellow	6161/3-70-121-0-1	219845	1.400
		Clear	6161/3-70-221-0-1	219846	1.400
		Red	6161/3-70-321-0-1	219847	1.400
		Blue	6161/3-70-421-0-1	219848	1.400
		Green	6161/3-70-521-0-1	219850	1.400
		Amber	6161/3-70-621-0-1	219849	1.400
230 V	-	Yellow	6161/3-10-121-0-1	219822	1.400
		Clear	6161/3-10-221-0-1	219828	1.400
		Red	6161/3-10-321-0-1	219831	1.400
		Blue	6161/3-10-421-0-1	219832	1.400
		Green	6161/3-10-521-0-1	219844	1.400
		Amber	6161/3-10-621-0-1	219842	1.400

Technical Data	
Explosion Protection	
IECEx gas explosion protection	Ex db eb IIC T6/T5 Gb
IECEx dust explosion protection	Ex tb IIIC T85 °C ... T100 °C Db
ATEX gas explosion protection	Ⓔ II 2 G Ex db eb IIC T6/T5 Gb
ATEX dust explosion protection	Ⓔ II 2 D Ex tb IIIC T85 °C ... T100 °C Db
Certificates	ATEX (BVIS), IECEx (BVIS)
Ship approval	DNV GL
Electrical Data	
Back-up fuse	4 AT
Mechanical Data	
IP degree of protection (IEC 60529)	IP66
Enclosure material	Aluminium, powder-coated, Seawater-resistant
Enclosure colour	Yellow / black, powder-coated
Sealing material	NBR O-ring seal
Material dome	Polycarbonate (Lexan) Prismatic
Terminal marking	PE + N + L1
Max. solid connection terminals	4 mm ²
Max. finely stranded connection terminals	2.5 mm ²
Mounting / Installation	
Mounting part material	Stainless steel
Connection type	Screw terminals, 3-pin

Technical Data

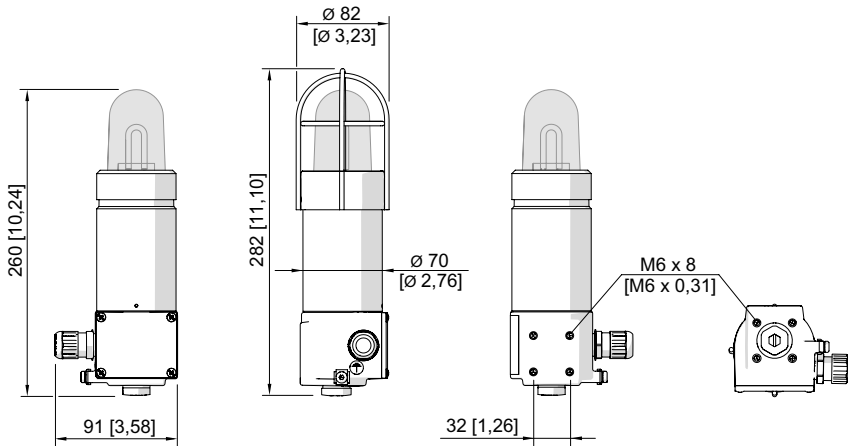
Components	
Drilled holes	2 x M20
Cable glands and entries	1 x M20 Ø 4 – 13 mm
Cable entry material	Polyamide, black
Stopping plugs	1 x M20 x 1.5
Stopping plug material	Polyamide, black

You can find more technical data online at r-stahl.com. WebCode 6161A

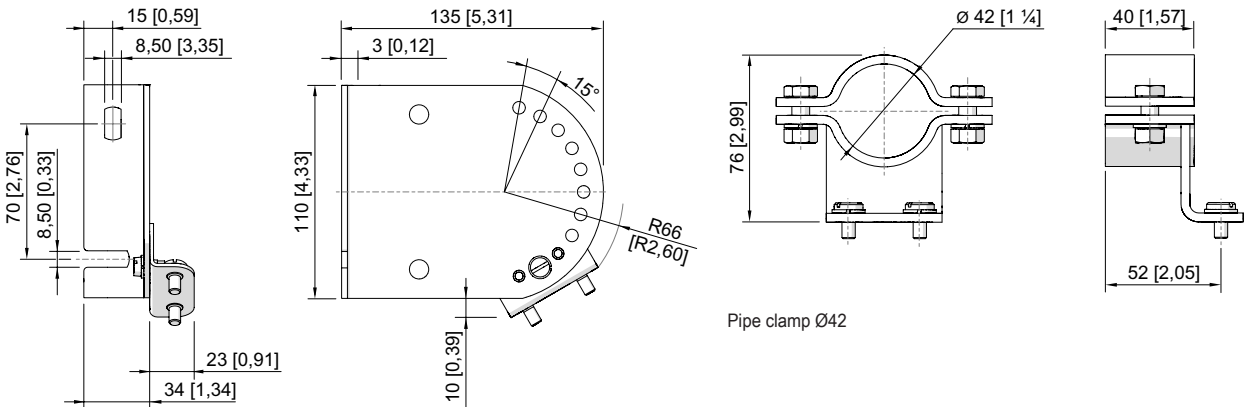
Accessories

Figure	Description	Art. No.	Weight kg
Mounting accessories			
	Mounting plate for wall or floor mounting (stainless steel), incl. mounting screws (available for 6161)	120821	0.158
	Pipe clamp, R 1 1/4"	120812	0.500
	Pipe clamp, R 1 1/2"	120819	0.470
	Pipe clamp, R 2"	120823	0.500
	Mounting bracket for wall or floor mounting, stainless steel, incl. mounting screws (available for 6161)	120826	0.480
	Wire guard, stainless steel (available for 6161)	120818	0.260
Stopping plug			
	8290/3-M20 Plastic, M20 x 1.5 Lot size 1 piece	143522 ▲	0.005
	8290/3-M20 Plastic, M20 x 1.5 Lot size 100 pieces	285773 ■	0.500
Cable gland made of plastic			
	8161/7-M20-1304, Ex e Plastic, M20 x 1.5, cable outer diameter 4 to 13 mm Lot size 50 pieces	239156 ▲	0.013

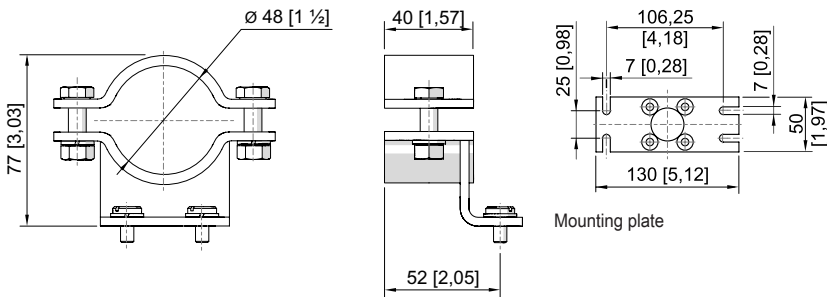
Lot size: Purchase order quantity in [pieces], the delivery quantity is automatically rounded to the lot size.



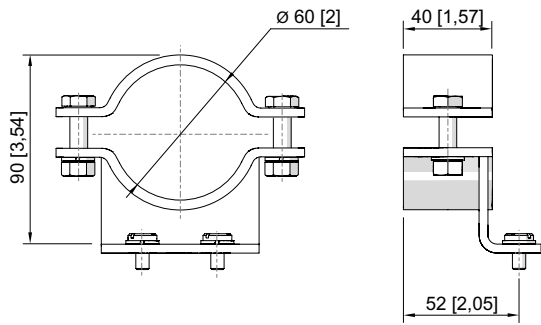
Optical beacon 6161



Ceiling and wall-mounting bracket



Pipe clamp Ø48



Pipe clamp Ø60