



- Xenon versions: rotating mirror beacon, rotating beacon, beacon with double flash (9 + 5 J), flashing beacon (15 J) with 20 W / 35 W halogen bulb
- LED versions: continuous beacon and rotating beacon
- Seawater resistant aluminium enclosure with glass dome
- Integrated Ex e connection chamber
- Glass dome available in: signal yellow, red, orange and blue resp. clear

E5

WebCode **6162A**



The R. STAHL Signal Beacon Series 6162 is approved for use in Ex Zones 1, 2, 21 and 22. All models feature an integrated "increased safety" wiring space. The rotating mirror beacons and the rotating beacons have an integrated wear resistant friction gear which creates 180 light signals per minute. The wear-free LED beacons ensure an extremely high service life of up to 50,000 hours due to the innovative LED technology. In addition to the LED-continuous beacon, a LED-rotating beacon is also available. This LED-rotating beacon is maintenance-free thanks to the absence of any moving components. The robust, seawater resistant aluminium enclosure ensures IP66 protection for all models.

	ATEX / IECEx					
Zone	0	1	2	20	21	22
Installation in		•	•		•	•

Selection Table										
Product variant				Flashing beacon						
Lamp				Flash tubes						
Flashbulb				15 J						
Flash rate				1 Hz						
Lens colour	Gas temperature class	Dust maximum surface temperature	Rated operational voltage DC	Rated operational voltage AC	Nominal current	Product Type	Art. No.	PS	Weight kg	
Blue	T6	75 °C	24 – 24 V	24 – 24 V	0.8 – 0.8 A	6162/15-64-411	219861	34	5.300	
		80 °C	–	230 – 240 V	0.2 – 0.2 A	6162/15-74-411	219866	34	5.300	
Clear	T6	75 °C	24 – 24 V	24 – 24 V	0.8 – 0.8 A	6162/15-64-211	219799	34	5.300	
		80 °C	–	230 – 240 V	0.2 – 0.2 A	6162/15-74-211	219864	34	5.300	
Orange	T6	75 °C	24 – 24 V	24 – 24 V	0.8 – 0.8 A	6162/15-64-611	219862	34	5.300	
		80 °C	–	230 – 240 V	0.2 – 0.2 A	6162/15-74-611	219867	34	5.300	
Red	T5	95 °C	–	110 – 127 V	0.25 – 0.25 A	6162/15-44-311	219795	34	5.300	
		T6	75 °C	24 – 24 V	24 – 24 V	0.8 – 0.8 A	6162/15-64-311	219800	34	5.300
			80 °C	–	230 – 240 V	0.2 – 0.2 A	6162/15-74-311	219865	34	5.300
Yellow	T6	75 °C	24 – 24 V	24 – 24 V	0.8 – 0.8 A	6162/15-64-111	219798	34	5.300	
		80 °C	–	230 – 240 V	0.2 – 0.2 A	6162/15-74-111	219863	34	5.300	

**Selection Table**

Product variant Lamp Power		LED-continuous beacon LED 5 – 5 W							
Lens colour	Gas temperature class	Dust maximum surface temperature	Rated operational voltage DC	Rated operational voltage AC	Nominal current	Product Type	Art. No.	PS	Weight kg
Orange	T6	70 °C	24 – 24 V	–	0.2 – 0.2 A	6162/19-55-611	203036	34	5.300
		70 °C	–	115 – 230 V	0.025 – 0.06 A	6162/19-95-611	203037	34	5.300
Red	T6	70 °C	24 – 24 V	–	0.2 – 0.2 A	6162/19-55-311	201880	34	5.300
		70 °C	–	115 – 230 V	0.025 – 0.06 A	6162/19-95-311	219980	34	5.300
Yellow	T6	70 °C	24 – 24 V	–	0.2 – 0.2 A	6162/19-55-111	201879	34	5.300
		70 °C	–	115 – 230 V	0.025 – 0.06 A	6162/19-95-111	201901	34	5.300
Product variant Lamp Power		Rotating beacon Halogen lamp 35 – 35 W							
Lens colour	Gas temperature class	Dust maximum surface temperature	Rated operational voltage DC	Rated operational voltage AC	Nominal current	Product Type	Art. No.	PS	Weight kg
Blue	T4	105 °C	–	230 – 230 V	0.17 – 0.17 A	6162/18-12-411	219955	34	5.300
		105 °C	24 – 24 V	24 – 24 V	1.6 – 1.6 A	6162/18-62-411	219965	34	5.300
Orange	T4	105 °C	–	230 – 230 V	0.17 – 0.17 A	6162/18-12-611	219956	34	5.300
		105 °C	24 – 24 V	24 – 24 V	1.6 – 1.6 A	6162/18-62-611	219966	34	5.300
Red	T4	105 °C	–	230 – 230 V	0.17 – 0.17 A	6162/18-12-311	219954	34	5.300
		105 °C	24 – 24 V	24 – 24 V	1.6 – 1.6 A	6162/18-62-311	219964	34	5.300
Yellow	T4	105 °C	–	230 – 230 V	0.17 – 0.17 A	6162/18-12-111	219952	34	5.300
		105 °C	24 – 24 V	24 – 24 V	1.6 – 1.6 A	6162/18-62-111	219962	34	5.300
Product variant Lamp Power		Rotating beacon LED 3.6 – 3.6 W							
Lens colour	Gas temperature class	Dust maximum surface temperature	Rated operational voltage DC	Rated operational voltage AC	Nominal current	Product Type	Art. No.	PS	Weight kg
Orange	T6	70 °C	24 – 24 V	–	0.15 – 0.15 A	6162/18-55-611	219961	34	5.300
		70 °C	–	115 – 230 V	0.15 – 0.15 A	6162/18-95-611	219976	34	5.300
Red	T6	70 °C	24 – 24 V	–	0.15 – 0.15 A	6162/18-55-311	219959	34	5.300
		70 °C	–	115 – 230 V	0.15 – 0.15 A	6162/18-95-311	219975	34	5.300
Yellow	T6	70 °C	24 – 24 V	–	0.15 – 0.15 A	6162/18-55-111	219972	34	5.300
		70 °C	–	115 – 230 V	0.15 – 0.15 A	6162/18-95-111	201903	34	5.300
Product variant Lamp Power		Rotating light Halogen lamp 35 – 35 W							
Lens colour	Gas temperature class	Dust maximum surface temperature	Rated operational voltage DC	Rated operational voltage AC	Nominal current	Product Type	Art. No.	PS	Weight kg
Blue	T4	105 °C	115 – 115 V	115 – 115 V	0.35 – 0.35 A	6162/18-32-411	241526	34	5.300
Clear	T4	105 °C	115 – 115 V	115 – 115 V	0.35 – 0.35 A	6162/18-32-211	241524	34	5.300
Green	T4	105 °C	–	230 – 230 V	0.17 – 0.17 A	6162/18-12-711	241522	34	5.300
		105 °C	115 – 115 V	115 – 115 V	0.35 – 0.35 A	6162/18-32-711	241528	34	5.300
		105 °C	24 – 24 V	24 – 24 V	1.6 – 1.6 A	6162/18-62-711	241535	34	5.300
Orange	T4	105 °C	115 – 115 V	115 – 115 V	0.35 – 0.35 A	6162/18-32-611	241527	34	5.300
Red	T4	105 °C	115 – 115 V	115 – 115 V	0.35 – 0.35 A	6162/18-32-311	241525	34	5.300
Yellow	T4	105 °C	115 – 115 V	115 – 115 V	0.35 – 0.35 A	6162/18-32-111	241523	34	5.300

**Selection Table**

Product variant		Rotating mirror beacon							
Lamp		Halogen lamp							
Power		35 – 35 W							
Lens colour	Gas temperature class	Dust maximum surface temperature	Rated operational voltage DC	Rated operational voltage AC	Nominal current	Product Type	Art. No.	PS	Weight kg
Blue	T3	150 °C	24 – 24 V	24 – 24 V	1.6 – 1.6 A	6162/17-62-411	219936	34	5.300
Green	T3	150 °C	–	230 – 230 V	0.17 – 0.17 A	6162/17-12-711	241477	34	5.300
		150 °C	–	115 – 115 V	0.35 – 0.35 A	6162/17-32-711	241478	34	5.300
		150 °C	24 – 24 V	24 – 24 V	1.6 – 1.6 A	6162/17-62-711	241480	34	5.300
Orange	T3	150 °C	–	230 – 230 V	0.17 – 0.17 A	6162/17-12-611	219874	34	5.300
Red	T3	150 °C	–	230 – 230 V	0.17 – 0.17 A	6162/17-12-311	219897	34	5.300
		150 °C	24 – 24 V	24 – 24 V	1.6 – 1.6 A	6162/17-62-311	219934	34	5.300
Yellow	T3	150 °C	–	230 – 230 V	0.17 – 0.17 A	6162/17-12-111	219894	34	5.300
		150 °C	–	115 – 115 V	0.35 – 0.35 A	6162/17-32-111	219879	34	5.300
		150 °C	24 – 24 V	24 – 24 V	1.6 – 1.6 A	6162/17-62-111	219928	34	5.300

The optical beacons are supplied without mounting accessories and wire guard. These must be ordered separately!

**Technical Data**
**Explosion Protection**

Gas explosion protection IECEx	Ex de IIC T.. Gb
Gas explosion protection ATEX	Ⓔ II 2 G Ex de IIC T.. Gb
Gas explosion protection EAC	2 Ex de IIC T3...T6
Dust explosion protection IECEx	Ex tb IIIC T.. Db
Dust explosion protection ATEX	Ⓔ II 2 D Ex tb IIIC T.. Db
Dust explosion protection EAC	Ex tD A21 IP66 Ta80...160°C
Certificates	ATEX (PTB), EAC (STV), IECEx (PTB)
Notes	For temperature classes and surface temperatures, see selection table

**Ambient Conditions**

Ambient temperature	-20 °C ... +40 °C -20 °C ... +50 °C
---------------------	--

**Mechanical Data**

Degree of protection IP (IEC 60529)	IP66
Protection class	I (PE connection) (Internal + external)
Enclosure material	Aluminium, powder-coated, Seawater-resistant
Material dome	Glass Temperature-resistant
Terminal marking	PE + N + L1
Connection terminals solid max.	4 mm <sup>2</sup>
Connection terminals finely-stranded max.	2.5 mm <sup>2</sup>

**Mounting / Installation**

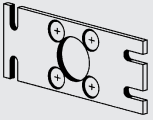
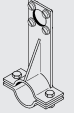
Connection type	Screw terminals, 3-pin
-----------------	------------------------

**Components**

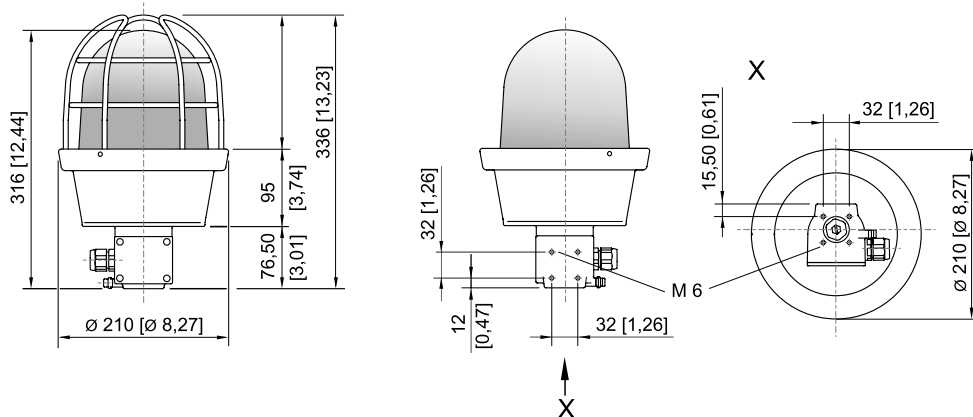
Drilled holes	2 x M20
Screw connections	1 x M20 x 1.5
Material of screw connections	Polyamide, black
Stopping plug	1 x M20 x 1.5
Stopping plug material	Polyamide, black
Wire guard	Can be ordered as accessories

You can find more technical data online at [r-stahl.com](http://r-stahl.com). WebCode 6162A

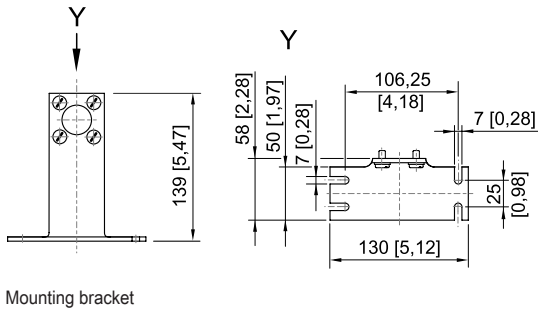
**Accessories and Spare Parts**

Figure	Description	Art. No.	Weight kg
<b>Mounting plate</b>			
	material: stainless steel, includes mounting screws, for wall or floor mounting	120821 ▲	0.158
<b>Mounting bracket</b>			
	material: stainless steel, includes mounting screws	120930 ▲	0.450
<b>Pipe clamp</b>			
	R 1 1/2"	120920	0.560
	R 1 1/4"	120919	0.520
	R 2"	120921	0.600
<b>Wire guard</b>			
	material: stainless steel, includes mounting screws	120917	0.540
<b>Stopping plug</b>			
	8290/3-M20, 1 piece	143522	0.005
	8290/3-M20, 100 pieces	143543 ▲	0.500
<b>Cable gland</b>			
	8161/7-M20-1304 4 ... 13 mm <sup>2</sup> , 50 pieces (delivery lot*)	239156 ▲	0.013

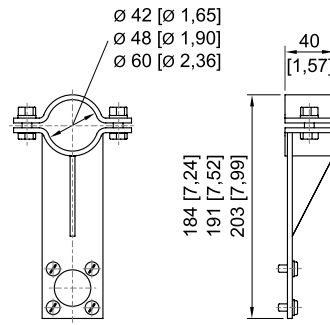
\* Purchase order quantity in [pieces], the delivery quantity is automatically rounded to the delivery lot.

**Dimensional Drawings (All Dimensions in mm [inches]) – Subject to Alterations**


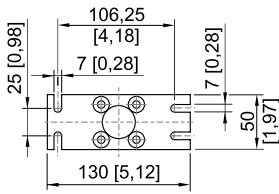
Signal beacon Series 6162



Mounting bracket



Pipe clamp



Mounting plate