



- Standard versions with short delivery times, customer-specific options possible
- With miniature circuit breaker, tripping characteristic C
- With residual current circuit breaker with overcurrent release, tripping characteristic C
- Rated currents 10, 16, 20, 25 A

E8

WebCode 8146D



R. STAHL Series 8146 lighting and heating panels are modular and are therefore available in a large number of standard variants which are available for rapid delivery. Customer-specific options are also possible. The circuit breakers are installed beneath a inspection window and can also be actuated from the outside, even under voltage. The switching position is visible at all times.

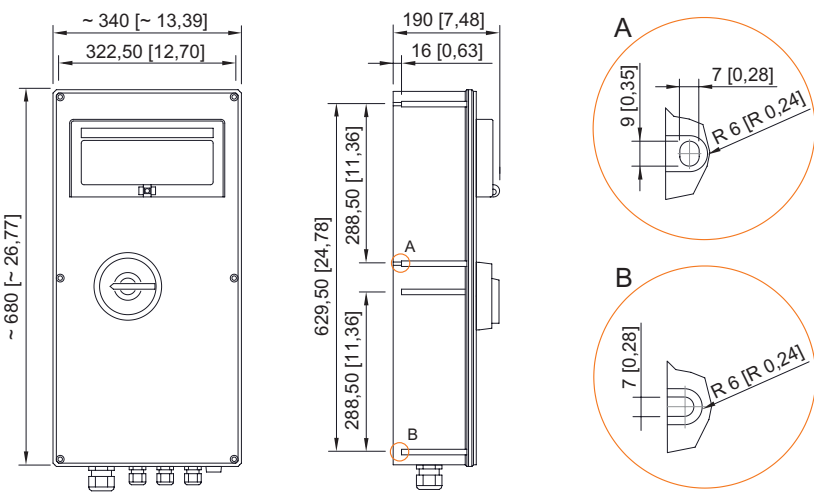
	ATEX / IECEx					
	0	1	2	20	21	22
Zone						
Installation in		•	•		•	•

Selection Table

Product Description		Circuit distribution board light With miniature circuit breaker					
Built-in unit 2		6 x Miniature circuit breaker 1-pole 16A / C / 6 kA					
Rated operational current	Entry 1	Entry 2	Entry 3	Layout No.	Product Type	Art. No.	Weight kg
32 A (T6)	1 x 8161/7-M40-2812	6 x 8161/7-M25-1707	1 x 8161/7-M16-0902	01	8146/5-ExV-01-06L16C1P-T	137111	25.000
	1 x 8161/7-M40-2812	6 x 8161/7-M25-1707	1 x 8161/7-M16-0902	06	8146/5-ExV-06-06L16C1P-D	137135	25.000
Product Description		Circuit distribution board light With miniature circuit breaker					
Built-in unit 2		12 x Miniature circuit breaker 1-pole 16A / C / 6 kA					
Rated operational current	Entry 1	Entry 2	Entry 3	Layout No.	Product Type	Art. No.	Weight kg
64 A (T6)	1 x 8161/7-M50-3516	12 x 8161/7-M25-1707	1 x 8161/7-M16-0902	02	8146/5-ExV-02-12L16C1P-T	137118	37.000
	1 x 8161/7-M50-3516	12 x 8161/7-M25-1707	1 x 8161/7-M16-0902	07	8146/5-ExV-07-12L16C1P-D	137140	37.000
Product Description		Circuit distribution board light With miniature circuit breaker					
Built-in unit 2		18 x Miniature circuit breaker 1-pole 16A / C / 6 kA					
Rated operational current	Entry 1	Entry 2	Entry 3	Layout No.	Product Type	Art. No.	Weight kg
80 A (T6)	1 x 8161/7-M50-3516	18 x 8161/7-M25-1707	1 x 8161/7-M16-0902	03	8146/5-ExV-03-18L16C1P-T	137124	50.000
Product Description		Circuit distribution board light With miniature circuit breaker					
Built-in unit 2		24 x Miniature circuit breaker 1-pole 16A / C / 6 kA					
Rated operational current	Entry 1	Entry 2	Entry 3	Layout No.	Product Type	Art. No.	Weight kg
80 A (T6)	1 x 8161/7-M50-3516	24 x 8161/7-M25-1707	1 x 8161/7-M16-0902	04	8146/5-ExV-04-24L16C1P-T	137130	70.000
Product Description		Heating circuit distribution boards With residual current circuit breaker With overcurrent release					
Built-in unit 2		8 x With residual current circuit breaker 1-pole 16 A+N/30 mA/B/6 kA					
Rated operational current	Entry 1	Entry 2	Entry 3	Layout No.	Product Type	Art. No.	Weight kg
48 A (T4)	1 x 8161/7-M40-2812	8 x 8161/7-M25-1707	1 x 8161/7-M16-0902	02	8146/5-ExV-02-08H16B1N-T	137146	37.000
	1 x 8161/7-M40-2812	8 x 8161/7-M25-1707	1 x 8161/7-M16-0902	07	8146/5-ExV-07-08H16B1N-D	137171	37.000
Product Description		Heating circuit distribution boards With residual current circuit breaker With overcurrent release					
Built-in unit 2		8 x With residual current circuit breaker 1-pole 16 A+N/30 mA/C/6 kA					
Rated operational current	Entry 1	Entry 2	Entry 3	Layout No.	Product Type	Art. No.	Weight kg
48 A (T4)	1 x 8161/7-M40-2812	8 x 8161/7-M25-1707	1 x 8161/7-M16-0902	02	8146/5-ExV-02-08H16C1N-T	137161	37.000
	1 x 8161/7-M40-2812	8 x 8161/7-M25-1707	1 x 8161/7-M16-0902	07	8146/5-ExV-07-08H16C1N-D	137173	37.000
Product Description		Heating circuit distribution boards With residual current circuit breaker With overcurrent release					
Built-in unit 2		12 x With residual current circuit breaker 1-pole 16 A+N/30 mA/B/6 kA					
Rated operational current	Entry 1	Entry 2	Entry 3	Layout No.	Product Type	Art. No.	Weight kg
64 A (T4)	1 x 8161/7-M50-3516	12 x 8161/7-M25-1707	1 x 8161/7-M16-0902	03	8146/5-ExV-03-12H16B1N-T	137152	50.000
Product Description		Heating circuit distribution boards With residual current circuit breaker With overcurrent release					
Built-in unit 2		12 x With residual current circuit breaker 1-pole 16 A+N/30 mA/C/6 kA					
Rated operational current	Entry 1	Entry 2	Entry 3	Layout No.	Product Type	Art. No.	Weight kg
64 A (T4)	1 x 8161/7-M50-3516	12 x 8161/7-M25-1707	1 x 8161/7-M16-0902	03	8146/5-ExV-03-12H16C1N-T	137164	50.000
Product Description		Heating circuit distribution boards With residual current circuit breaker With overcurrent release					
Built-in unit 2		24 x With residual current circuit breaker 1-pole 16 A+N/30 mA/B/6 kA					
Rated operational current	Entry 1	Entry 2	Entry 3	Layout No.	Product Type	Art. No.	Weight kg
80 A (T4)	1 x 8161/7-M50-3516	24 x 8161/7-M25-1707	1 x 8161/7-M16-0902	05	8146/5-ExV-05-24H16B1N-T	137157	95.000
Product Description		Heating circuit distribution boards With residual current circuit breaker With overcurrent release					
Built-in unit 2		24 x With residual current circuit breaker 1-pole 16 A+N/30 mA/C/6 kA					
Rated operational current	Entry 1	Entry 2	Entry 3	Layout No.	Product Type	Art. No.	Weight kg
80 A (T4)	1 x 8161/7-M50-3516	24 x 8161/7-M25-1707	1 x 8161/7-M16-0902	05	8146/5-ExV-05-24H16C1N-T	137167	95.000

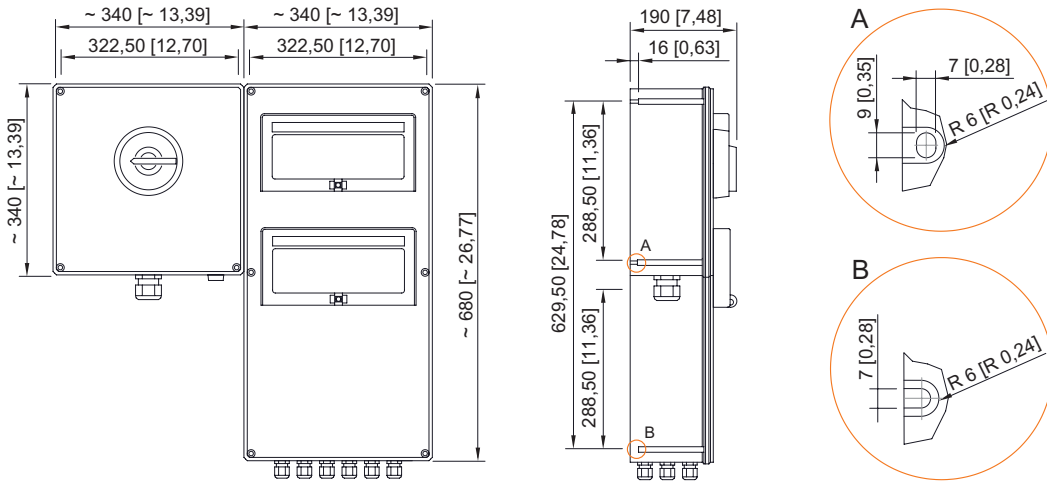
Technical Data		
Variant	With residual current circuit breaker	With miniature circuit breaker
Explosion Protection		
IECEx dust explosion protection	Ex tb IIIC T130 °C Db	Ex tb IIIC T80 °C Db
IECEx gas explosion protection	Ex db eb IIC T4 Gb	Ex db eb IIC T6 Gb
ATEX gas explosion protection	⊕ II 2 G Ex db eb IIC T4 Gb	⊕ II 2 G Ex db eb IIC T6 Gb
ATEX dust explosion protection	⊕ II 2 D Ex tb IIIC T130 °C Db	⊕ II 2 D Ex tb IIIC T80 °C Db
EAC gas explosion protection	⊕ Ex e* IIC...IIA T6 ... T4 Gb X	⊕ Ex e* IIC...IIA T6 ... T4 Gb X
EAC dust explosion protection	⊕ Ex tb IIIC T80 °C ... T130 °C Db X	⊕ Ex tb IIIC T80 °C ... T130 °C Db X
Certificates	ATEX (PTB), Brazil (ULB), Canada (FM), China (NEPSI), EAC (LPE), IECEx (PTB), India (PESO), Korea (KGS), Taiwan (ITRI), USA (FM)	ATEX (PTB), Brazil (ULB), Canada (FM), China (NEPSI), EAC (LPE), IECEx (PTB), India (PESO), Korea (KGS), Taiwan (ITRI), USA (FM)
Notes	Product label may vary. Series devices have certification according to ATEX and IECEx.	
Electrical Data		
Rated operational voltage AC	230 – 400 V	230 – 400 V
Notes	depending on terminal types and explosion-protected components used	
Ambient Conditions		
Ambient temperature	-20 °C ... +40 °C	-20 °C ... +40 °C
Mechanical Data		
Degree of protection IP (IEC 60529)	IP66	IP66
Enclosure material	Polyester resin, Glass fibre reinforced	Polyester resin, Glass fibre reinforced
Flame retardant acc.	IEC/EN 60695, UL 94, ASTM D635	IEC/EN 60695, UL 94, ASTM D635
Impact strength	7 J	7 J

Dimensional Drawings (All Dimensions in mm [inches]) – Subject to Alterations

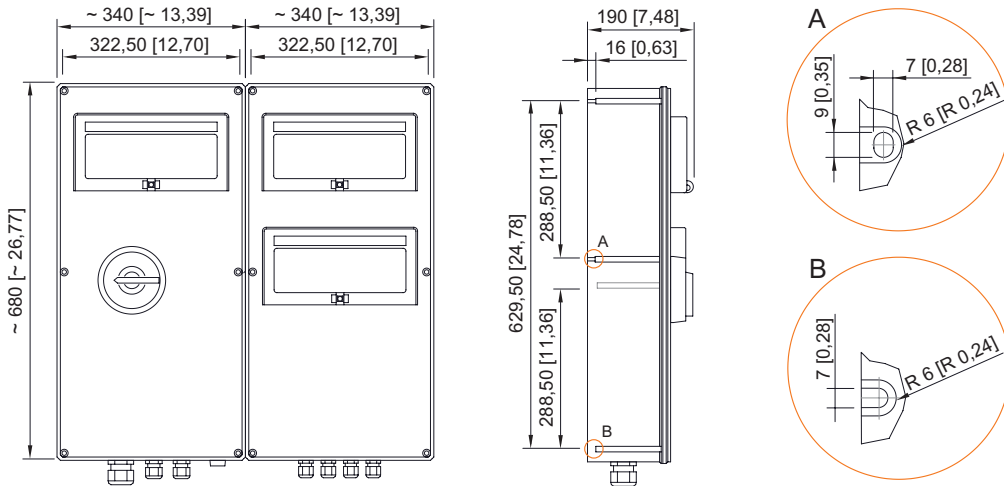


Layout 01

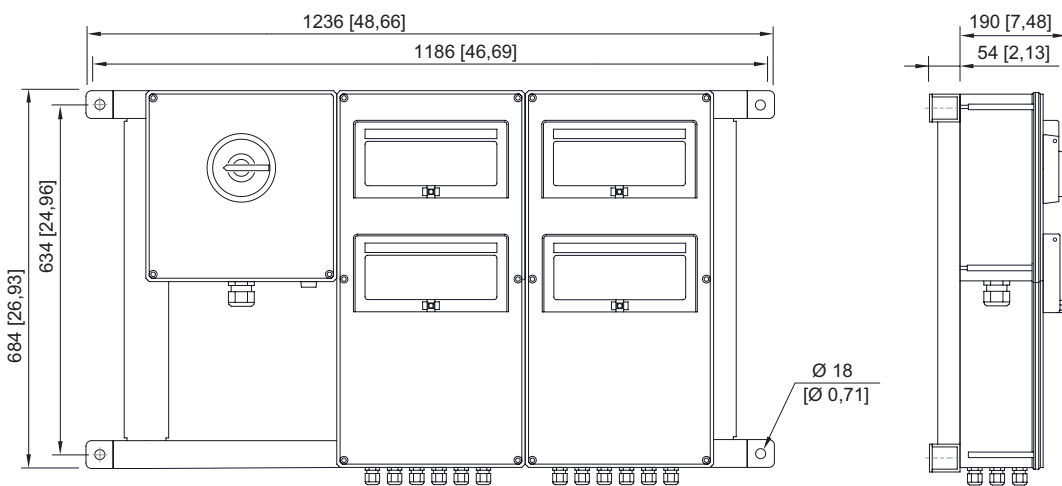
E8



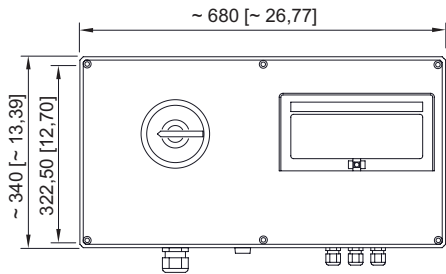
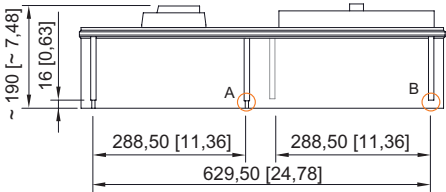
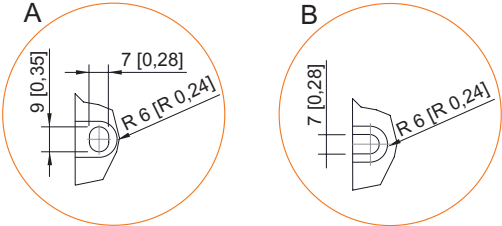
Layout 02



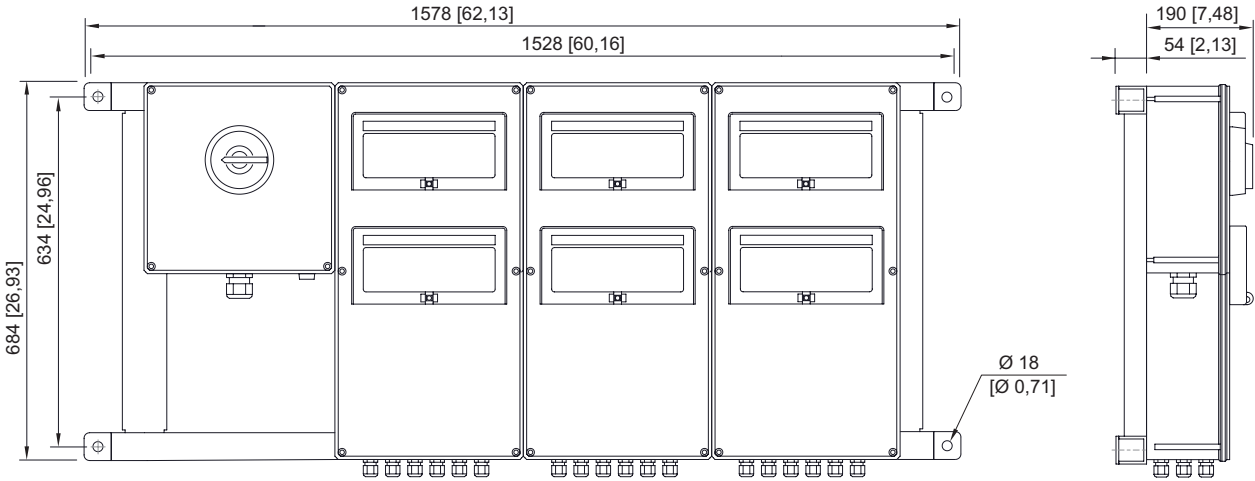
Layout 03



Layout 04

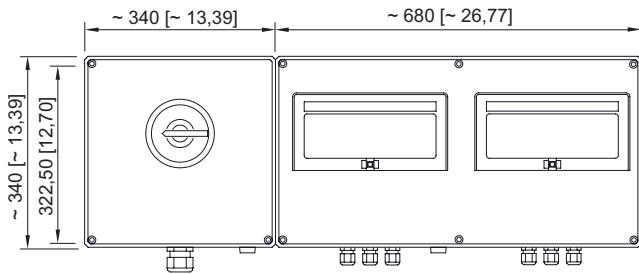
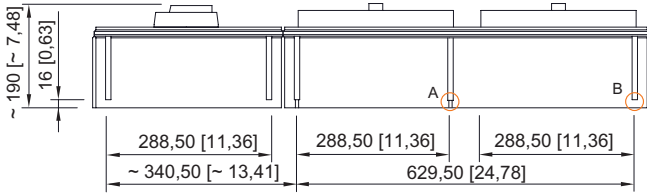
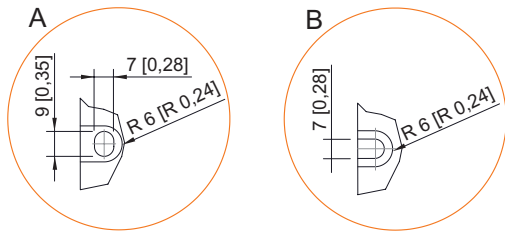


Layout 06



Layout 05

E8



Layout 07