



- Reliable load disconnect switch with clearly visible, lockable handle which also displays the switching position
- Optional auxiliary contacts for control and signalling purposes, pluggable
- With AC-3 motor switching capacity according to IEC/EN 60947-3

E3

WebCode **8571A**



R. STAHL Series 8571/11 SolConeX sockets for Zone 1/21 in a 3-, 4- and 5-pole version have full AC-3 switching capacity up to 32 A. The high degree of protection IP66 guarantees the highest level of protection against the penetration of dust and/or water in any application position. Self-cleaning lamellar contacts provide optimum contact and the plugs can be inserted and removed in the zero position quickly and easily. The load disconnect switch, with mechanical locking device and a handle that can be locked in the 0 or I position, is an additional safety feature.

	ATEX / IECEx					
Zone	0	1	2	20	21	22
Installation in		•	•		•	•

Selection Table								
Detailed number of poles		4 P (3 P + PE)						
Rated operational current		25 A						
Auxiliary contacts available		No						
Figure	Coding (clock hour position)	Rated operational voltage AC	Colour code	Frequency range	Product Type	Art. No.	PS	Weight kg
	10	51 – 690 V	Green	100 – 300 Hz	8571/11-410	150906	10	2.200

**Selection Table**

Detailed number of poles		4 P (3 P + PE)						
Rated operational current		32 A						
Auxiliary contacts available		No						
Figure	Coding (clock hour position)	Rated operational voltage AC	Colour code	Frequency range	Product Type	Art. No.	PS	Weight kg
	5	600 – 690 V	Black	50 – 60 Hz	8571/11-405-S012	220134	10	2.200
		600 – 690 V	Black	50 – 60 Hz	8571/11-405	150902 ▲	10	2.200
	6	380 – 415 V	Red	50 – 60 Hz	8571/11-406-S012	214068	10	2.200
		380 – 415 V	Red	50 – 60 Hz	8571/11-406	150890 ▲	10	2.200
	7	480 – 500 V	Black	50 – 60 Hz	8571/11-407-S012	220133	10	2.200
		480 – 500 V	Black	50 – 60 Hz	8571/11-407	150894 ▲	10	2.200
	9	200 – 250 V	Blue	50 – 60 Hz	8571/11-409-S012	220132	10	2.200
		200 – 250 V	Blue	50 – 60 Hz	8571/11-409	150898 ▲	10	2.200
11	440 – 460 V	Red	60 – 60 Hz	8571/11-411	150910 ▲	10	2.200	
Detailed number of poles		4 P (3 P + PE)						
Rated operational current		32 A						
Auxiliary contacts available		Yes						
Figure	Coding (clock hour position)	Rated operational voltage AC	Colour code	Frequency range	Product Type	Art. No.	PS	Weight kg
	6	380 – 415 V	Red	50 – 60 Hz	8571/11-406-S001	220135	10	2.200
		480 – 500 V	Black	50 – 60 Hz	8571/11-407-S001	166610	10	2.200
Detailed number of poles		5 P (3 P + N + PE)						
Rated operational current		32 A						
Auxiliary contacts available		No						
Figure	Coding (clock hour position)	Rated operational voltage AC	Colour code	Frequency range	Product Type	Art. No.	PS	Weight kg
	3	220 – 380 V	Red	50 – 50 Hz	8571/11-503	217678	10	2.200
		57 – 75 V / 100 – 130 V	Yellow	50 – 60 Hz	8571/11-504	217679	10	2.200
	5	347 – 400 V / 600 – 690 V	Black	50 – 60 Hz	8571/11-505	150876 ▲	10	2.200
		6	200 – 240 V / 346 – 415 V	Red	50 – 60 Hz	8571/11-506-S012	214069	10
	200 – 240 V / 346 – 415 V		Red	50 – 60 Hz	8571/11-506	150854 ▲	10	2.200
	7	277 – 288 V / 480 – 500 V	Black	50 – 60 Hz	8571/11-507	150863 ▲	10	2.200
		9	120 – 144 V / 208 – 250 V	Blue	50 – 60 Hz	8571/11-509	150870	10
	11		250 – 265 V / 440 – 460 V	Red	60 – 60 Hz	8571/11-511	150882	10

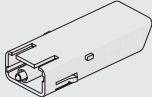
The current must be reduced to 25 A for frequencies > 100 Hz  
Variants with temperature range of -50 ... +55 °C available on request

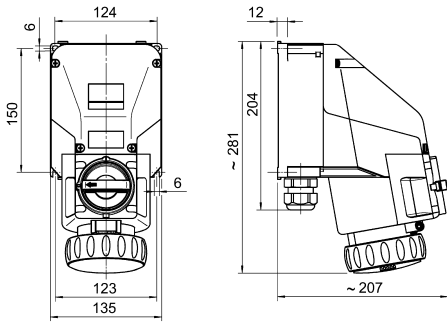
**Technical Data**

Variant	8571/11-...	8571/11-...-S001	8571/11-...-S012
Explosion Protection			
Ambient temperature °C	-30 ... +55 °C	-30 ... +55 °C	-30 ... +55 °C
Gas explosion protection IECEx	Ex db eb IIC T5 Gb	Ex db eb IIC T5 Gb	Ex db eb IIC T5 Gb
Gas explosion protection ATEX	Ⓔ II 2 G Ex db eb IIC T5 Gb	Ⓔ II 2 G Ex db eb IIC T5 Gb	Ⓔ II 2 G Ex db eb IIC T5 Gb
Gas explosion protection EAC	2 Ex de IIC T6/T5 2 Ex de [ia] IIC T6/T5	2 Ex de IIC T6/T5 2 Ex de [ia] IIC T6/T5	2 Ex de IIC T6/T5 2 Ex de [ia] IIC T6/T5

Technical Data			
Variant	8571/11-...	8571/11-...-S001	8571/11-...-S012
<b>Explosion Protection</b>			
Dust explosion protection IECEx	Ex tb IIIC T75 °C Db	Ex tb IIIC T75 °C Db	Ex tb IIIC T75 °C Db
Dust explosion protection ATEX	Ⓔ II 2 D Ex tb IIIC T75 °C Db	Ⓔ II 2 D Ex tb IIIC T75 °C Db	Ⓔ II 2 D Ex tb IIIC T75 °C Db
Dust explosion protection EAC	Ex tD A21 IP 66 T60 °C, T75 °C	Ex tD A21 IP 66 T60 °C, T75 °C	Ex tD A21 IP 66 T60 °C, T75 °C
Certificates	ATEX (PTB), Brazil (ULB), EAC (STV), IECEx (PTB)	ATEX (PTB), Brazil (ULB), EAC (STV), IECEx (PTB)	ATEX (PTB), Brazil (ULB), EAC (STV), IECEx (PTB)
<b>Ambient Conditions</b>			
Notes	Silicone is used as a sealing material for variants with an ambient temperature of -50 °C.		
<b>Mechanical Data</b>			
Degree of protection (IP)	IP66	IP66	IP66
Degree of protection note	according to IEC/EN 60529	according to IEC/EN 60529	according to IEC/EN 60529
Enclosure material	Polyamide, Glass fibre reinforced	Polyamide, Glass fibre reinforced	Polyamide, Glass fibre reinforced
Silicone-free	Yes	Yes	Yes
Connection terminals min.	2.5 mm <sup>2</sup>	2.5 mm <sup>2</sup>	2.5 mm <sup>2</sup>
Connection terminals solid max.	2 x 10 mm <sup>2</sup>	2 x 10 mm <sup>2</sup>	2 x 10 mm <sup>2</sup>
Connection terminals finely-stranded max.	2 x 6 mm <sup>2</sup>	2 x 6 mm <sup>2</sup>	2 x 6 mm <sup>2</sup>
<b>Components</b>			
Plate with threaded holes			With 2 x M32 x 1.5
Screw connections	1 x M32	1 x M25 1 x M32	Can be ordered as accessories
Cable diameter	9 – 21 mm	9 – 21 mm	
Cable diameter 2		7 – 17 mm	
Material of screw connections	Polyamide, black	Polyamide, black	
Stopping plug	1 x M32		1 x M32
Stopping plug material	Polyamide, black		Polyamide, black
Notes	Plate with threaded holes: made of brass, for metal cable glands Screw connections: positioning on the top or at the side, according to the order		

You can find more technical data online at [r-stahl.com](http://r-stahl.com)

Accessories and Spare Parts			
Figure	Description	Art. No.	Weight kg
<b>Auxiliary contact</b>			
	1 NC max. 500 V AC, max. 110 V DC max. 6 A 2 x 0.5 ... 2.5 mm <sup>2</sup> solid / finely stranded	150680	0.125
	1 NC, gold contact max. 500 V AC, max. 110 V DC max. 6 A 2 x 0.5 ... 2.5 mm <sup>2</sup> solid / finely stranded	150684	0.125
	1 NO max. 500 V AC, max. 110 V DC max. 6 A 2 x 0.5 ... 2.5 mm <sup>2</sup> solid / finely stranded	150682	0.125
	1 NO, gold contact max. 500 V AC, max. 110 V DC max. 6 A 2 x 0.5 ... 2.5 mm <sup>2</sup> solid / finely stranded	150686	0.125



Wall-mounting socket