



- Extreme temperature range of $-45 \dots +55 \text{ }^{\circ}\text{C}$
- Reliable load disconnect switch with clearly visible, lockable handle which also displays the switching position
- Integrated auxiliary contact for control and signalling purposes
- With AC-3 motor switching capacity according to IEC/EN 60947-3

E3

WebCode **8579A**



R. STAHL Series 8579/31 CES sockets for Zone 1/21 in a 4- and 5-pole version have full AC-3 switching capacity up to 63 A. The high degree of protection IP66 guarantees the highest level of protection against the penetration of dust and water in any application position. Self-cleaning lamellar contacts provide optimum contact and the plugs can be inserted and removed in the zero position quickly and easily. The load disconnect switch, with mechanical locking device and a handle that can be locked in the 0 or I position, is an additional safety feature.

	ATEX / IECEx					
Zone	0	1	2	20	21	22
Installation in		•	•		•	•

Selection Table								
Detailed number of poles		4 P (3 P + PE)						
Rated operational current		0 – 63 A						
Figure	Coding (clock hour position)	Rated operational voltage AC	Colour code	Frequency range	Product Type	Art. No.	PS	Weight kg
	5	600 – 690 V	Black	50 – 60 Hz	8579/31-405	201388	10	7.800
	6	380 – 415 V	Red	50 – 60 Hz	8579/31-406-S001	203494	10	7.800
		380 – 415 V	Red	50 – 60 Hz	8579/31-406-S002	203496▲	10	7.800
		380 – 415 V	Red	50 – 60 Hz	8579/31-406-S008	203498	10	7.800
		380 – 415 V	Red	50 – 60 Hz	8579/31-406-S009	203500	10	7.800
		380 – 415 V	Red	50 – 60 Hz	8579/31-406-S010	203487	10	7.800
		380 – 415 V	Red	50 – 60 Hz	8579/31-406-S011	203489	10	7.800
		380 – 415 V	Red	50 – 60 Hz	8579/31-406	201389▲	10	7.800
	7	480 – 500 V	Black	50 – 60 Hz	8579/31-407	201390▲	10	7.800
	9	200 – 250 V	Blue	50 – 60 Hz	8579/31-409	201391▲	10	7.800
11	440 – 460 V	Red	60 – 60 Hz	8579/31-411	202026▲	10	7.800	

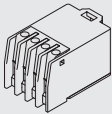
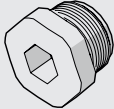
Selection Table

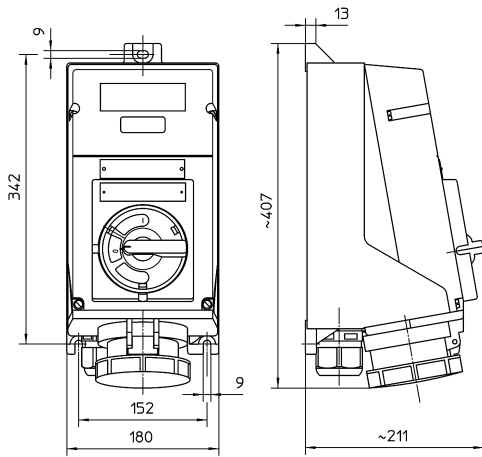
Detailed number of poles Rated operational current		5 P (3 P + N + PE) 0 – 63 A						
Figure	Coding (clock hour position)	Rated operational voltage AC	Colour code	Frequency range	Product Type	Art. No.	PS	Weight kg
	5	347 – 400 V / 600 – 690 V	Black	50 – 60 Hz	8579/31-505	203490	10	7.800
	6	200 – 240 V / 346 – 415 V	Red	50 – 60 Hz	8579/31-506-S001	203493 ▲	10	7.800
		200 – 240 V / 346 – 415 V	Red	50 – 60 Hz	8579/31-506-S002	203495 ▲	10	7.800
		200 – 240 V / 346 – 415 V	Red	50 – 60 Hz	8579/31-506-S008	203497	10	7.800
		200 – 240 V / 346 – 415 V	Red	50 – 60 Hz	8579/31-506-S009	203499	10	7.800
		200 – 240 V / 346 – 415 V	Red	50 – 60 Hz	8579/31-506-S010	203501	10	7.800
		200 – 240 V / 346 – 415 V	Red	50 – 60 Hz	8579/31-506-S011	203488	10	7.800
		200 – 240 V / 346 – 415 V	Red	50 – 60 Hz	8579/31-506	201386 ▲	10	7.800
	7	277 – 288 V / 480 – 500 V	Black	50 – 60 Hz	8579/31-507	201387 ▲	10	7.800
	9	120 – 144 V / 208 – 250 V	Blue	50 – 60 Hz	8579/31-509	203511	10	7.800
	11	250 – 265 V / 440 – 460 V	Red	60 – 60 Hz	8579/31-511	203512 ▲	10	7.800

Technical Data

Variant	8579/31-...	8579/31-...-S001 8579/31-...-S010	8579/31-...-S002 8579/31-...-S011	8579/31-...-S008 8579/31-...-S009
Explosion Protection				
Ambient temperature °C	-30 ... +55 °C	-30 ... +55 °C	-30 ... +55 °C	-30 ... +55 °C
Gas explosion protection IECEx	Ex db eb IIC T5 Gb	Ex db eb IIC T5 Gb	Ex db eb IIC T5 Gb	Ex db eb IIC T5 Gb
Gas explosion protection ATEX	Ⓜ II 2 G Ex db eb IIC T5 Gb	Ⓜ II 2 G Ex db eb IIC T5 Gb	Ⓜ II 2 G Ex db eb IIC T5 Gb	Ⓜ II 2 G Ex db eb IIC T5 Gb
Gas explosion protection EAC	1 Ex d e IIC T6/T5 Gb 1 Ex d e [ib] IIC T6/T5 Gb	1 Ex d e IIC T6/T5 Gb 1 Ex d e [ib] IIC T6/T5 Gb	1 Ex d e IIC T6/T5 Gb 1 Ex d e [ib] IIC T6/T5 Gb	1 Ex d e IIC T6/T5 Gb 1 Ex d e [ib] IIC T6/T5 Gb
Dust explosion protection IECEx	Ex tb IIIC T75 °C Db	Ex tb IIIC T75 °C Db	Ex tb IIIC T75 °C Db	Ex tb IIIC T75 °C Db
Dust explosion protection ATEX	Ⓜ II 2 D Ex tb IIIC T75 °C Db	Ⓜ II 2 D Ex tb IIIC T75 °C Db	Ⓜ II 2 D Ex tb IIIC T75 °C Db	Ⓜ II 2 D Ex tb IIIC T75 °C Db
Dust explosion protection EAC	Ex tb IIIC T65 °C...T75 °C Db	Ex tb IIIC T65 °C...T75 °C Db	Ex tb IIIC T65 °C...T75 °C Db	Ex tb IIIC T65 °C...T75 °C Db
Ambient temperature °C 2	-30 ... +40 °C	-30 ... +40 °C	-30 ... +40 °C	-30 ... +40 °C
Gas explosion protection IECEx 2	Ex db eb IIC T6 Gb	Ex db eb IIC T6 Gb	Ex db eb IIC T6 Gb	Ex db eb IIC T6 Gb
Gas explosion protection ATEX 2	Ⓜ II 2 G Ex db eb IIC T6 Gb	Ⓜ II 2 G Ex db eb IIC T6 Gb	Ⓜ II 2 G Ex db eb IIC T6 Gb	Ⓜ II 2 G Ex db eb IIC T6 Gb
Dust explosion protection IECEx 2	Ex tb IIIC T60 °C Db	Ex tb IIIC T60 °C Db	Ex tb IIIC T60 °C Db	Ex tb IIIC T60 °C Db
Dust Explosion Protection ATEX 2	Ⓜ II 2 D Ex tb IIIC T60 °C Db	Ⓜ II 2 D Ex tb IIIC T60 °C Db	Ⓜ II 2 D Ex tb IIIC T60 °C Db	Ⓜ II 2 D Ex tb IIIC T60 °C Db
Certificates	ATEX (PTB), Brazil (ULB), EAC (LPE), IECEx (PTB), Korea (KGS), Taiwan (ITRI)	ATEX (PTB), Brazil (ULB), EAC (LPE), IECEx (PTB), Korea (KGS), Taiwan (ITRI)	ATEX (PTB), Brazil (ULB), EAC (LPE), IECEx (PTB), Korea (KGS), Taiwan (ITRI)	ATEX (PTB), Brazil (ULB), EAC (LPE), IECEx (PTB), Korea (KGS), Taiwan (ITRI)
Electrical Data				
Auxiliary contacts available	Yes	Yes	Yes	Yes
Ambient Conditions				
Notes	T6: 63 A -30 ... +40 °C T6: 50 A -30 ... +50 °C T5: 63 A -30 ... +55 °C			
Mechanical Data				
Degree of protection (IP)	IP66	IP66	IP66	IP66
Degree of protection note	according to IEC/EN 60529	according to IEC/EN 60529	according to IEC/EN 60529	according to IEC/EN 60529
Enclosure material	Polyester, Glass fibre reinforced	Polyester, Glass fibre reinforced	Polyester, Glass fibre reinforced	Polyester, Glass fibre reinforced

Technical Data				
Variant	8579/31-...	8579/31-...-S001 8579/31-...-S010	8579/31-...-S002 8579/31-...-S011	8579/31-...-S008 8579/31-...-S009
Mechanical Data				
Connection terminals min.	16 mm ²	16 mm ²	16 mm ²	16 mm ²
Connection terminals finely-stranded max.	2 x 50 mm ²	2 x 50 mm ²	2 x 50 mm ²	2 x 50 mm ²
Connection terminals stranded max.	2 x 50 mm ²	2 x 50 mm ²	2 x 50 mm ²	2 x 50 mm ²
Components				
Plate with threaded holes		With 1 x M42-M40	With 1 x M42-M50	With 1 x M40-M32
Screw connections	1 x M50	Can be ordered as accessories	Can be ordered as accessories	Can be ordered as accessories
Cable diameter	16 – 35 mm			
Material of screw connections	Polyamide, black			
Stopping plug	1 x M25	1 x M40	1 x M50	1 x M32
Stopping plug material	Polyamide, black	Polyamide, black	Polyamide, black	Polyamide, black
Notes	Plate with threaded holes: made of brass, for metal cable glands			
8579/31-...-S009, 8579/31-...-S010, 8579/31-...-S011: with outer earth connection				

Accessories and Spare Parts				
Figure	Description	Art. No.	Weight kg	
Auxiliary contact (retrofitable)				
	2 NC contacts (8080/1-3) 250 V AC/DC max. 6 A 1.5 ... 2.5 mm ² solid / finely stranded The switching function of the auxiliary contact depends on the installation slot used. Left and right: synchronising	168356	0.026	
	1 NC contact + 1 NO contact (8080/1-1) 250 V AC/DC max. 6 A 1.5 ... 2.5 mm ² solid / finely stranded The switching function of the auxiliary contact depends on the installation slot used. Left: delayed (ON), leading (OFF) Right: synchronising	168351	0.026	
	2 NO contacts (8080/1-4) 250 V AC/DC max. 6 A 1.5 ... 2.5 mm ² solid / finely stranded The switching function of the auxiliary contact depends on the installation slot used. Left and right: synchronising	168353	0.026	
Stopping plug				
	8290/3-M25, 1 piece	143524	0.007	



Wall-mounting socket