



- Simple, front-end parameterization
- Bit refresh function improves signal quality
- Adjustable transmission speeds of 1.2 kbit/s and 1.5 Mbit/s - automatic with PROFIBUS DP
- Field interface non-Ex i

A6

WebCode **9185B**



The 9185/12 series fieldbus isolating repeater can be used for the galvanically separated transmission of communication signals. It prevents any compensating currents and protects easily damaged terminal equipment from transient coupling, thereby ensuring undisturbed signal transmission for R. STAHL PROFIBUS DP, Modbus RTU and service bus. The RS-232 interface allows a PC to be connected.

	ATEX / IECEx						NEC 505 Class I						NEC 506						NEC 500					
	0	1	2	20	21	22	0	1	2	20	21	22	1	2	1	2	1	2	Class I	Class II	Class III			
Zone																								
Ex interface		•	•		•	•		•	•					•	•	•	•	•						
Installation in			•			•			•			•			•		•							

Selection Table							
Product Description		Fieldbus isolating repeater ISpac					
Field side of interfaces	Safe interface area	Product Type			Art. No.	PS	Weight kg
RS 485 / RS 422 (switchable)	RS 232, RS 422, RS 485	9185/12-45-10s			227600	21	0.350





Technical Data	
Explosion Protection	
Gas explosion protection IECEx	Ex nA IIC T4 Gc
Gas explosion protection ATEX	⊕ II 3 G Ex nA IIC T4 Gc
Gas explosion protection EAC	2 Ex nA IIC T4 Gc X
Certificates	ATEX (BVS), Canada (FM), EAC (STV), IECEx (BVS), India (PESO), USA (FM)
Ship approval	CCS, DNVGL
Electrical Data	
Interface field area level	EIA RS 485, EIA RS 422
Connections	Sub-D socket X3, 9-pole (Interface field area)
Interface settings	Fixed transmission speed or automatic detection > 9.6 kbit/s (only with Profibus DP)
Line length interface field area	Depends on transmission rate and cable
Data transmission indication	LED green "RxD2"
Electrical interface data rate	1.2 kbps - 1.5 Mbps
Terminating resistor interface field area	to be set in external plug

Technical Data

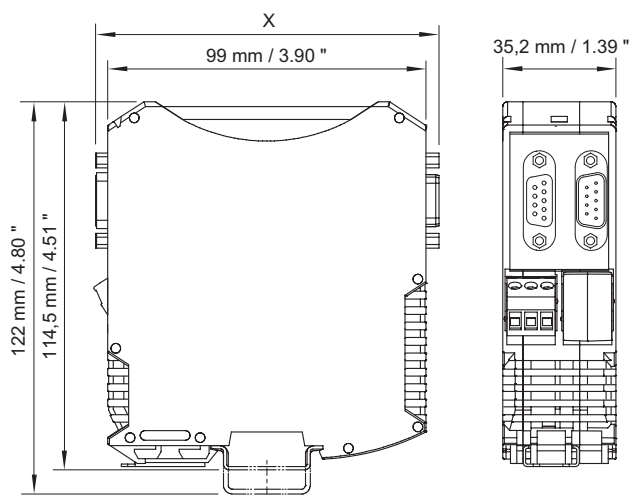
Auxiliary Power

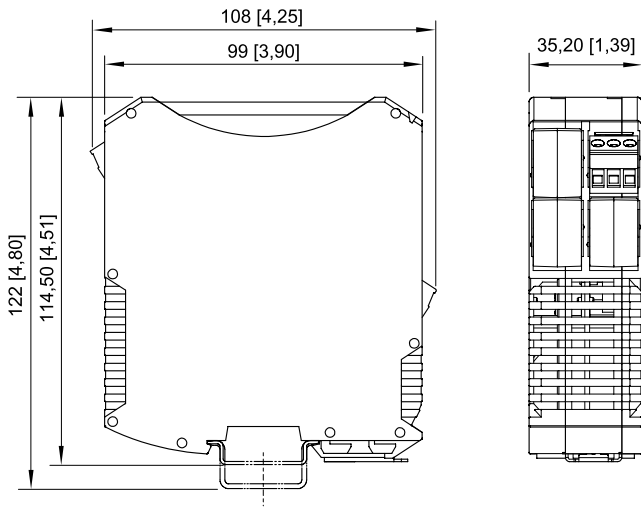
Auxiliary power	24 V AC / DC
Nominal current	66 mA

Accessories and Spare Parts

Figure	Description	Art. No.	Weight kg
Cable for PROFIBUS DP, RS 485, RS485-IS			
	Cable type: BUS 4000-C-PE 2x0,64mm 02YS(St) CY2Y Colour (sheath): black Application area: Outdoor Installation outdoors and directly in the ground, UV-resistant	105444	0.300
Cable for PROFIBUS DP, RS485-IS			
	Cable type: 02YS(St) CHSH Colour (sheath): blue Application area: Offshore Halogen-free, steel wire braid armoured cable	105400	0.001
	Cable type: BUS 4000-C-PVC 2x0,64mm 02YS(St) CY Colour (sheath): blue Application area: Indoor Standard type for indoor installation	105437	0.001
Sub-D plug + PG interface			
	9-pin for connection of the fieldbus or ServiceBus to the CPU & power module Series 9440/15 and fieldbus-isolating repeater 9185. Integrated terminator can be switched on or off. For non-intrinsically safe RS-485.	105715 ▲	0.001

Dimensional Drawings (All Dimensions in mm [inches]) – Subject to Alterations





ISpac Series 9143, 9185, 9192 with screw terminal