



- Suitable for “op is” 100 Mbit/s Ethernet with PROFINET, Modbus TCP or Ethernet/IP
- Redundant activation with Modbus TCP possible
- CPU can be hot swapped in Zone 1

A4

WebCode 9441A



Modbus TCP



The 9441/12 series CPU for Zone 1 is used to communicate with the automation system via PROFINET, Modbus TCP or Ethernet/IP. The connection is established by means of an optically inherently safe “op is” fibre optic, which can be connected and disconnected in hazardous areas. IS1+ and connected HART devices are integrated into asset management systems using a DTM.

Selection Table					
Installation	Zone 1 / Division 1				
Protocols	Product Type	Art. No.	PS	Weight kg	
EtherNet/IP Modbus TCP PROFINET	9441/12-00-00	211045 ▲	22	1.300	

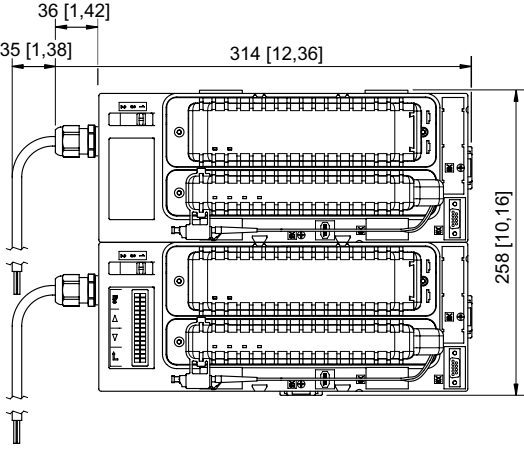
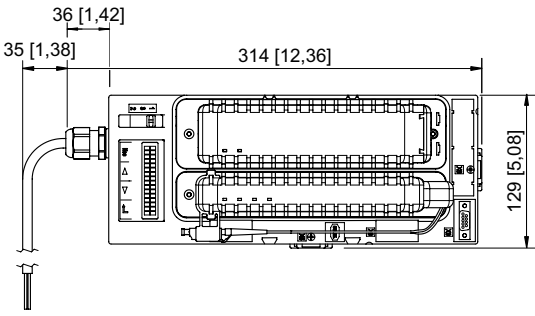
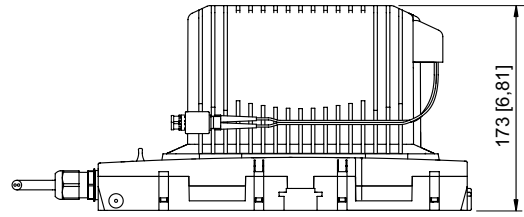
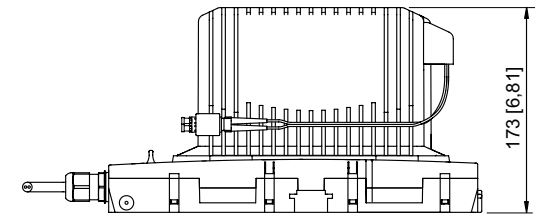
Technical Data	
Explosion Protection	
Certificates	ATEX (DEK), Brazil (ULB), Canada (FM), EAC (STV), IECEx (DEK), International (FF), USA (FM)
Ship approval	ABS, CCS, ClassNK, DNVGL, RINA
Electrical Data	
Interface Ethernet	Fibre optic cable, 100BASE-FX, Ex op is (IEC 60079-28)
Auxiliary Power	
Nominal voltage	24 V DC
Current consumption (without I/O modules)	0.36 A at 24 V DC
Current consumption (with	Approx. 2.6 A at 24 V DC
Current consumption (with 16 I/O modules)	Approx. 4.9 A at 24 V DC
Power dissipation (without I/O modules)	8.6 W
Power dissipation (8 I/O modules)	14 W
Mechanical Data	
Degree of protection IP (IEC 60529)	IP30
Width	38 mm
Length	226 mm

Accessories and Spare Parts

Figure	Description	Art. No.	Weight kg
Device DTM IS1+ for PROFIBUS DP and Ethernet			
	Parameterization and configuration of the IS1+ system Communicating with HART-compatible field devices Supports all common FDT frame applications (e.g. FieldCare, PactWare™) Condition Monitoring Scan function for automatic topology generation Download at r-stahl.com	-	-
Socket for CPU and Power Module			
	Zone 1 Fieldbus: Modbus TCP, simplex 24 V DC	166176 ▲	1.100
	Zone 1 Fieldbus: EtherNet/IP, simplex 24 V DC	166322	1.100
	Zone 1 Fieldbus: PROFINET, simplex 24 V DC	166321	1.100
	Zone 1 Fieldbus: Modbus TCP, redundant 24 V DC	166324	2.200
Media converter FX op is / TX SC for Zone 2			
	Media Converter of 10/100 Base-Tx (1 x RJ45 port) to 100 Base-Fx "Ex op is" (1 x FO port SC); Multi mode (up to 4 km range); Webcode: 9721A	220381 ▲	0.240
Unmanaged Switch FX op is / TX SC			
	Unmanaged Switch FX op is to TX; SC plug connector FO cable 4 multi mode (MM), 2 RJ45, Installation in Zone 2	243427 ▲	0.500
FO patch cable			
	Patch cable for connection of IS1+ Ethernet CPU 9441 and 9442 with media converter 9721; plug LC / SC; lenght 3 m	220911 ▲	-

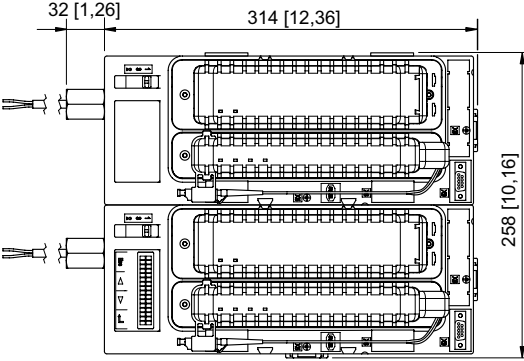
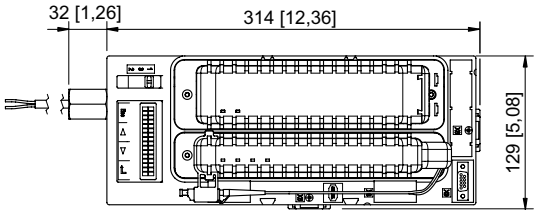
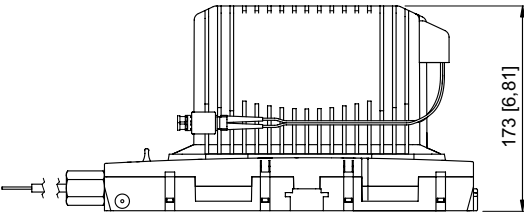
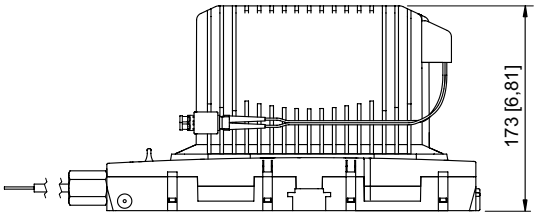
Dimensional Drawings (All Dimensions in mm [inches]) – Subject to Alterations

A4



Ethernet CPU Module & Power Module with Socket for Zone 1

Ethernet CPU Module & Power Module with redundant Socket for Zone 1



Ethernet CPU Module & Power Module with Socket for Div. 1

Ethernet CPU Module & Power Module with redundant Socket for Div. 1