



- For intrinsically safe IS1+ system supply
- For up to eight IS1+ I/O modules and connected field devices
- Power module in Zone 1 can be hot swapped

A4

WebCode 9444A



The series 9444/12 power module supplies up to eight IS1+ I/O modules, including the connected field circuits, with intrinsically safe energy. A 24 V DC external power supply is provided. The power module can be replaced while the system is in operation and without having to disconnect the power supply (i.e. hot swapped).

		ATEX / IECEx								NEC 505								NEC 506																					
										Class I								Class I						Class II		Class III													
Zone		0	1	2	20	21	22	Zone		0	1	2	20	21	22	Division		1	2	1	2	1	2	Ex interface		•	•	•	•	•	•	Ex interface		•	•	•	•	•	•
Ex interface			•	•		•	•	Ex interface			•			•	•	Ex interface		•	•	•	•	•	•	Ex interface		•	•	•	•	•	•	Ex interface		•	•	•	•	•	•
Installation in			•	•		•	•	Installation in			•	•		•	•	Installation in		•	•	•	•	•	•	Installation in		•	•	•	•	•	•	Installation in		•	•	•	•	•	•

Selection Table							
Installation	Zone 1 / Division 1						
Nominal voltage	Product Type				Art. No.	PS	Weight kg
24 V DC	9444/12-11				166178 ▲	22	2.410


Technical Data	
Explosion Protection	
Gas explosion protection IECEx	Ex d e [ia Ga] IIC T4 Gb
Gas explosion protection ATEX	⊕ II 2 (1) G Ex d e [ia Ga] IIC T4 Gb
Gas explosion protection EAC	1 Ex d e [ia Ga] IIC T4 Gb X
Dust explosion protection IECEx	[Ex ia Da] IIIC
Dust explosion protection ATEX	⊕ II (1) D [Ex ia Da] IIIC
Dust explosion protection EAC	[Ex ia Da] IIIC
Certificates	ATEX (DEK), Brazil (ULB), Canada (FM), EAC (STV), IECEx (DEK), USA (FM)
Ship approval	ABS, CCS, ClassNK, DNVGL, RINA
Auxiliary Power	
Current consumption (without I/O modules)	0.36 A (24 V DC)
Current consumption (with)	2.6 A (24 V DC)
Power dissipation (without I/O modules)	8.6 W
Power dissipation (8 I/O modules)	14 W

Technical Data

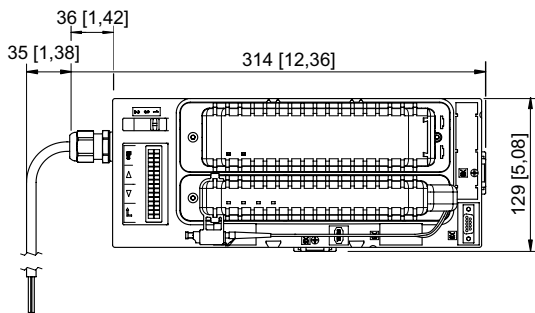
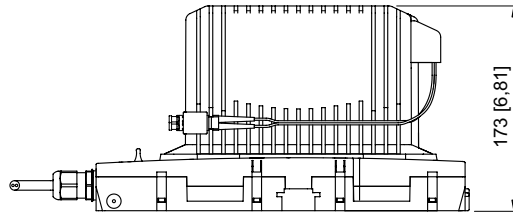
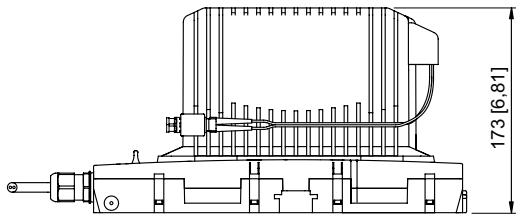
Mechanical Data

Degree of protection IP (IEC 60529)	IP30
Width	340 mm
Height	172 mm
Length	125 mm

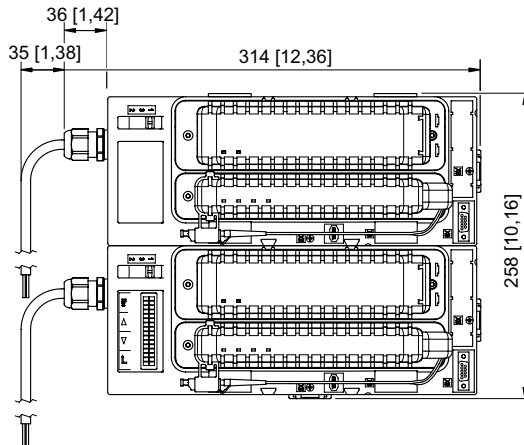
Accessories and Spare Parts

Figure	Description	Art. No.	Weight kg
Socket for CPU and Power Module			
	Zone 1 Fieldbus: Modbus TCP, simplex 24 V DC	166176 ▲	1.100
	Zone 1 Fieldbus: PROFINET, simplex 24 V DC	166321	1.100
	Zone 1 Fieldbus: EtherNet/IP, simplex 24 V DC	166322	1.100
	Zone 1 Fieldbus: Modbus TCP, redundant 24 V DC	166324	2.200

Dimensional Drawings (All Dimensions in mm [inches]) – Subject to Alterations



Ethernet CPU Module & Power Module with Socket for Zone 1



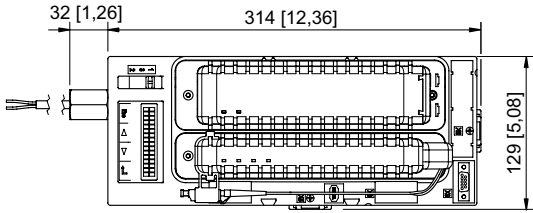
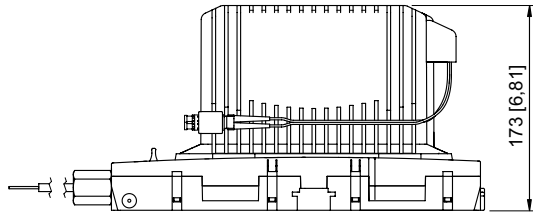
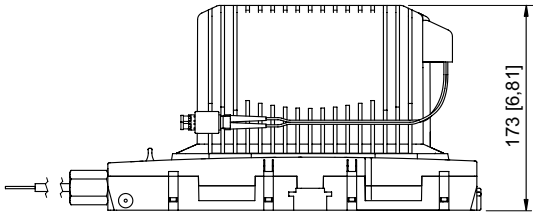
Ethernet CPU Module & Power Module with redundant Socket for Zone 1

Ethernet Power Module for Zone 1 / Div. 1

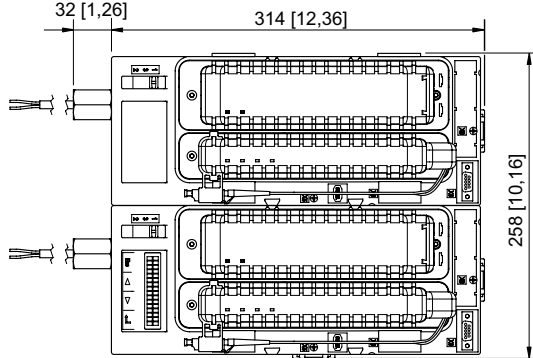
Series 9444/12



A4



Ethernet CPU Module & Power Module with Socket for Div. 1



Ethernet CPU Module & Power Module with redundant Socket for Div. 1