



- For connecting four intrinsically safe (FISCO/Entity) fieldbus devices in Zone 1
- Operated using High Power Trunk concept
- Reduced start-up current thanks to power management and short-circuit limiting with disconnection

A5

WebCode 9411C



9411/21 series Ex i field device couplers for Zone 1 with galvanic separation can be used for interference-free connection of four FF H1 or PROFIBUS PA field devices on the High Power Trunk. The spurs with type of protection ia can be used for fieldbus devices in Zone 1 (FISCO, Entity) and are protected by a short-circuit limiting function. The integrated power management minimises start-up and short-circuit currents. Available with screw terminals or spring clamp terminals.

|                 | ATEX / IECEx |   |   |    |    |    |
|-----------------|--------------|---|---|----|----|----|
| Zone            | 0            | 1 | 2 | 20 | 21 | 22 |
| Ex interface    | •            | • | • | •  | •  | •  |
| Installation in |              | • | • |    | •  | •  |

|                 | NEC 505 |   |   | NEC 506 |    |    |
|-----------------|---------|---|---|---------|----|----|
|                 | Class I |   |   |         |    |    |
| Zone            | 0       | 1 | 2 | 20      | 21 | 22 |
| Ex interface    | •       | • | • | •       | •  | •  |
| Installation in |         | • | • |         | •  | •  |

|                 | NEC 500 |   |          |   |           |   |
|-----------------|---------|---|----------|---|-----------|---|
|                 | Class I |   | Class II |   | Class III |   |
| Division        | 1       | 2 | 1        | 2 | 1         | 2 |
| Ex interface    | •       | • | •        | • | •         | • |
| Installation in |         | • |          | • |           | • |

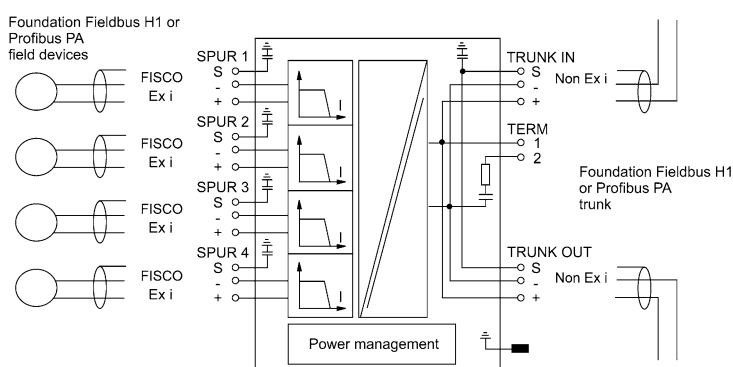
| Selection Table     |  |                |          |           |  |
|---------------------|--|----------------|----------|-----------|--|
| Product Description | ISbus fieldbus technology Field device coupler |                |          |           |  |
| Number of channels  | Connection type                                | Product Type   | Art. No. | Weight kg |  |
| 4                   | Screw terminal                                 | 9411/21-210-31 | 161843   | 0.870     |  |
|                     | Screw terminal, detachable                     | 9411/21-230-31 | 206826 ▲ | 0.870     |  |

Field enclosures in polyester or stainless steel: customer specific solutions on request

| Technical Data                  |   |
|---------------------------------|---|
| Explosion Protection            |   |
| IECEX gas explosion protection  | Ex mb e ib [ia Ga] IIC T4 Gb  |
| IECEX dust explosion protection | [Ex ia Da] IIIC   |
| ATEX gas explosion protection   | ⊕ II 2 (1) G Ex mb e ib [ia Ga] IIC T4 Gb   |
| ATEX dust explosion protection  | ⊕ II (1) D [Ex ia Da] IIIC  |
| EAC gas explosion protection    | ⊕ 1 Ex e ib mb [ia Ga] IIC T4 Gb X  |
| EAC dust explosion protection   | ⊕ [Ex ia Da] IIIC   |
| Certificates                    | ATEX (BVS), Brazil (ULB), Canada (FM), EAC (Sertium), IECEx (BVS), India (PESO), International (FF), USA (FM) |
| Auxiliary Power                 |   |
| Power dissipation max.          | 1.8 W   |
| Notes                           | Auxiliary power is not necessary, the field device coupler will be supplied by the trunk                      |

| Technical Data      |                            |
|---------------------|----------------------------|
| Input               |                            |
| Voltage range Trunk | 16 – 32 V                  |
| Output              |                            |
| Output current      | 0 mA ... 41 mA; per spur   |
| Output voltage      | Min. 10 V at 41 mA         |
| Ambient Conditions  |                            |
| Ambient temperature | -40 °C ... +75 °C          |
| Mechanical Data     |                            |
| Field enclosure     | Without, DIN rail mounting |

### Technical Drawings – Subject to Alterations



Connection diagram

### Accessories

| Figure                                  | Description   | Art. No. | Weight kg |
|---|---|----------|-----------|
| <b>Earthing bar set for 4 Spurs</b>     |   |          |           |
|   | Earthing bar 9411 spring terminal strap with 6 terminals  | 202774 ▲ | 0.128     |
| <b>Earthing bar set for 4 Spurs</b>     |   |          |           |
|   | Earthing bar 9411 screw terminals   | 161929 ▲ | 0.080     |
| <b>Fieldbus Power Supply</b>            |   |          |           |
|   | Fieldbus power supply and diagnostics   | 200586   | 0.135     |
| <b>Fieldbus Wizard Engineering Tool</b> |   |          |           |
|   | Engineering tool for segment design of Foundation Fieldbus or Profibus PA fieldbus installations<br>Download under <a href="http://www.fieldbus-solutions.info">www.fieldbus-solutions.info</a> | -        | -         |

Dimensional Drawings (All Dimensions in mm [inches]) – Subject to Alterations

A5

