



- For connecting eight intrinsically safe (FISCO/Entity) fieldbus devices in Zone 1
- Operated using High Power Trunk concept
- Reduced start-up current thanks to power management and short-circuit limiting with disconnection

A5

WebCode 9411D



9411/21 series Ex i field device couplers for Zone 1 with galvanic separation can be used for interference-free connection of eight FF H1 or PROFIBUS PA field devices on the High Power Trunk. The spurs with type of protection ia can be used for fieldbus devices in Zone 1 (FISCO, Entity) and are protected by a short-circuit limiting function.

The integrated power management minimises start-up and short-circuit currents. Available with screw terminals or spring clamp terminals.

	ATEX / IECEx						NEC 505						NEC 506						NEC 500					
	Class I		Class II		Class III		Class I		Class II		Class III		Class I		Class II		Class III		Class I		Class II		Class III	
Zone	0	1	2	20	21	22	0	1	2	20	21	22	1	2	1	2	1	2	1	2	1	2	1	2
Ex interface	•	•	•	•	•	•	•	•	•	•	•	•	•	•	•	•	•	•	•	•	•	•	•	•
Installation in		•	•		•	•		•	•		•	•		•		•		•		•		•		•

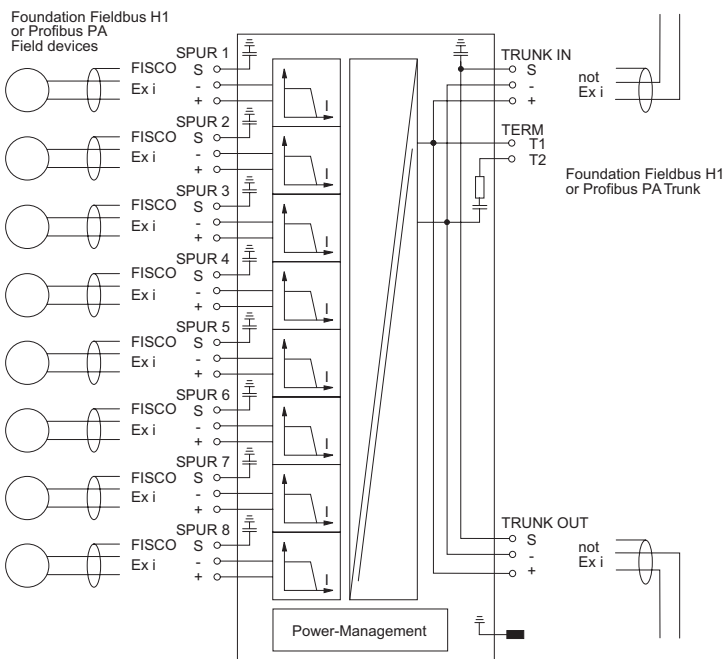
Selection Table					
Product Description		ISbus fieldbus technology Field device coupler			
Number of channels	Connection type	Product Type	Art. No.	Weight kg	
8	Screw terminal	9411/21-210-41	161887	0.890	
	Screw terminal, detachable	9411/21-230-41	206829 ▲	0.890	

Field enclosures in polyester or stainless steel: customer specific solutions on request

Technical Data	
Explosion Protection	
IECEX gas explosion protection	Ex mb e ib [ia Ga] IIC T4 Gb
IECEX dust explosion protection	[Ex ia Da] IIIC
ATEX gas explosion protection	⊕ II 2 (1) G Ex mb e ib [ia Ga] IIC T4 Gb
ATEX dust explosion protection	⊕ II (1) D [Ex ia Da] IIIC
EAC gas explosion protection	⊕ 1 Ex e ib mb [ia Ga] IIC T4 Gb X
EAC dust explosion protection	⊕ [Ex ia Da] IIIC
Certificates	ATEX (BVS), Brazil (ULB), Canada (FM), EAC (Sertium), IECEx (BVS), India (PESO), International (FF), USA (FM)
Auxiliary Power	
Power dissipation max.	1.8 W
Notes	Auxiliary power is not necessary, the field device coupler will be supplied by the trunk

Technical Data	
Input	
Voltage range Trunk	16 – 32 V
Output	
Output current	0 mA ... 41 mA; per spur
Output voltage	Min. 10 V at 41 mA
Ambient Conditions	
Ambient temperature	-40 °C ... +75 °C
Mechanical Data	
Field enclosure	Without, DIN rail mounting


Technical Drawings – Subject to Alterations



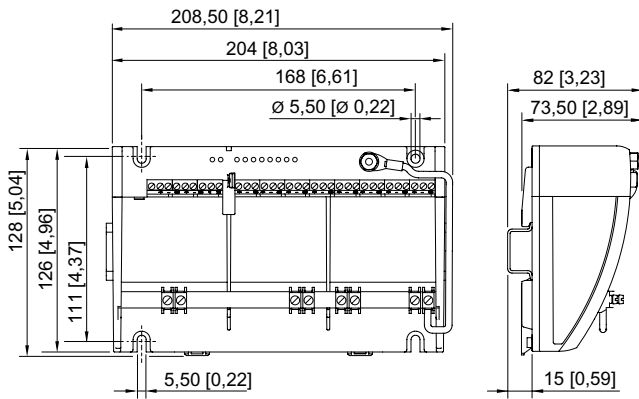
Connection diagram

Accessories			
Figure	Description	Art. No.	Weight kg
Earthing bar set for 8 Spurs			
	Earthing bar 9411 spring terminal strap with 10 terminals	202775 ▲	0.200
	Earthing bar 9411 screw terminals	161930 ▲	0.090
Fieldbus Power Supply			
	Fieldbus power supply and diagnostics	200586	0.135

Accessories

Figure	Description	Art. No.	Weight kg
	Fieldbus Wizard Engineering Tool Engineering tool for segment design of Foundation Fieldbus or Profibus PA fieldbus installations Download under www.fieldbus-solutions.info	-	-

Dimensional Drawings (All Dimensions in mm [inches]) – Subject to Alterations



Field Device Coupler, 8 Spurs, without enclosure