



- For connecting eight (FISCO, Entity) fieldbus devices in Zone 2
- Operated using High Power Trunk concept
- Reduced start-up current thanks to power management and short-circuit limiting with disconnection

A5

WebCode 9411F



9411/24 series Ex i field device couplers for Zone 2 with galvanic separation can be used for interference-free connection of up to eight intrinsically safe FF H1 or PROFIBUS PA field devices on the High Power Trunk. The spurs with type of protection ia can be used for fieldbus devices in Zones 1 and 2 and are protected by a short-circuit limiting function. The integrated power management minimises start-up and short-circuit currents. Available with screw terminals or spring clamp terminals.

	ATEX / IECEx						NEC 505						NEC 506						NEC 500					
	Class I		Class II		Class III		Class I		Class II		Class III		Class I		Class II		Class III		Class I		Class II		Class III	
<b>Zone</b>	0	1	2	20	21	22	0	1	2	20	21	22	1	2	1	2	1	2	1	2	1	2	1	2
<b>Ex interface</b>	•	•	•	•	•	•	•	•	•	•	•	•	•	•	•	•	•	•	•	•	•	•	•	•
<b>Installation in</b>			•		•	•			•		•	•			•		•	•			•		•	•

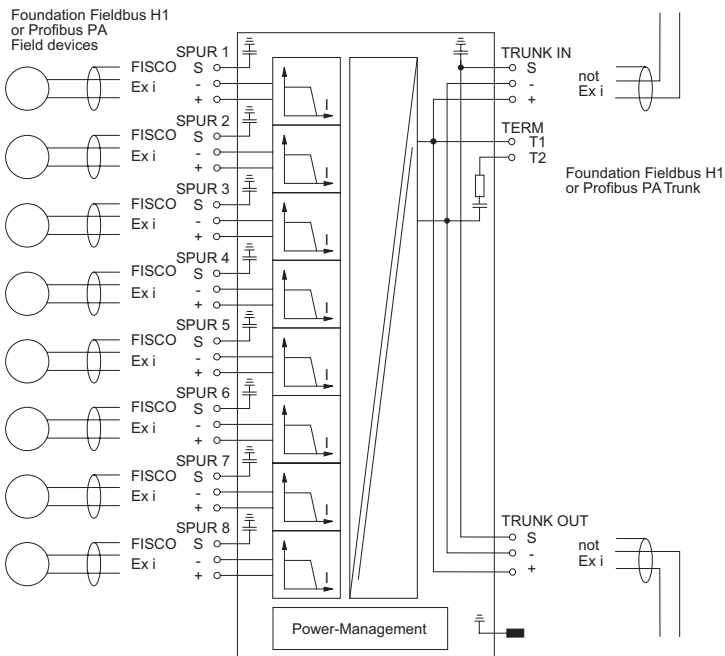
Selection Table				
Product Description	ISbus fieldbus technology Field device coupler			
Number of channels	Connection type	Product Type	Art. No.	Weight kg
8	Screw terminal	9411/24-310-41	203617	0.735
	Screw terminal, detachable	9411/24-330-41	206839 ▲	0.735
	Spring clamp terminal, detachable	9411/24-340-41	264662	0.735

Field enclosures in polyester or stainless steel: customer specific solutions on request

Technical Data	
<b>Explosion Protection</b>	
IECEX gas explosion protection	Ex nA [ia Ga] IIC T4 Gc
IECEX dust explosion protection	[Ex ia Da] IIIC
ATEX gas explosion protection	Ⓔ II 3 (1) G Ex nA [ia Ga] IIC T4 Gc
ATEX dust explosion protection	Ⓔ II (1) D [Ex ia Da] IIIC
EAC gas explosion protection	Ⓔ 2 Ex nA [ia Ga] IIC T4 Gc X
EAC dust explosion protection	Ⓔ [Ex ia Da] IIIC
Certificates	ATEX (BVS), Brazil (ULB), Canada (FM), EAC (Sertium), IECEx (BVS), India (PESO), International (FF), USA (FM)
<b>Auxiliary Power</b>	
Power dissipation max.	1.8 W

Technical Data	
Auxiliary Power	
Notes	Auxiliary power is not necessary, the field device coupler will be supplied by the trunk
Input	
Voltage range Trunk	16 – 32 V
Output	
Output voltage	Min. 10 V at 41 mA
Output current	0 mA ... 41 mA; per spur
Ambient Conditions	
Ambient temperature	-40 °C ... +75 °C
Mechanical Data	
Field enclosure	Without, DIN rail mounting



### Technical Drawings – Subject to Alterations



Connection diagram

### Accessories

Figure	Description	Art. No.	Weight kg
<b>Earthing bar set for 8 Spurs</b>			
	Earthing bar 9411 spring terminal strap with 10 terminals	202775 ▲	0.200
	Earthing bar 9411 screw terminals	161930 ▲	0.090

Accessories			
Figure	Description	Art. No.	Weight kg
<b>Fieldbus Power Supply</b>			
	Fieldbus power supply and diagnostics	200586	0.135
<b>Fieldbus Wizard Engineering Tool</b>			
	Engineering tool for segment design of Foundation Fieldbus or Profibus PA fieldbus installations Download under <a href="http://www.fieldbus-solutions.info">www.fieldbus-solutions.info</a>	-	-

**Dimensional Drawings (All Dimensions in mm [inches]) – Subject to Alterations**

