



- For connecting four (FISCO, Entity) fieldbus devices in Zone 2
- Operated using High Power Trunk concept
- Reduced start-up current thanks to power management and short-circuit limiting with disconnection

A5

WebCode 9411E



9411/24 series Ex i field device couplers for Zone 2 with galvanic separation can be used for interference-free connection of up to four intrinsically safe FF H1 or PROFIBUS PA field devices on the High Power Trunk. The spurs with type of protection ia can be used for fieldbus devices in Zones 1 and 2 and are protected by a short-circuit limiting function. The integrated power management minimises start-up and short-circuit currents. Available with screw terminals or spring clamp terminals.

	ATEX / IECEx					
	0	1	2	20	21	22
Zone						
Ex interface	•	•	•	•	•	•
Installation in			•	•	•	

	NEC 505			NEC 506		
	Class I					
	0	1	2	20	21	22
Zone						
Ex interface	•	•	•	•	•	•
Installation in			•	•	•	

	NEC 500					
	Class I		Class II		Class III	
	1	2	1	2	1	2
Division						
Ex interface	•	•	•	•	•	•
Installation in		•		•		•

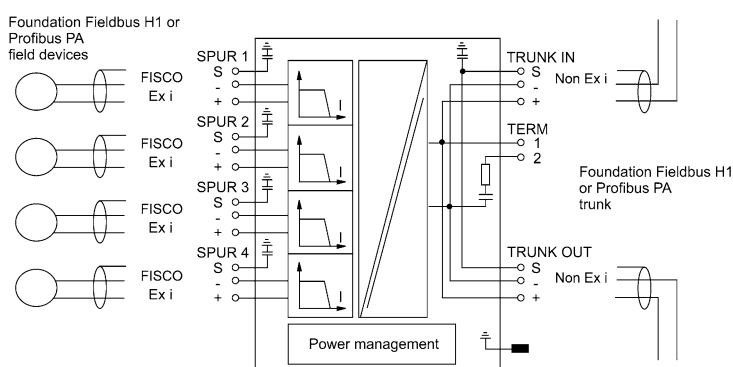
Selection Table				
Product Description	ISbus fieldbus technology Field device coupler			
Number of channels	Connection type	Product Type	Art. No.	Weight kg
4	Screw terminal	9411/24-310-31	203616	0.735
	Screw terminal, detachable	9411/24-330-31	206838 ▲	0.735
	Spring clamp terminal, detachable	9411/24-340-31	264661	0.735

Field enclosures in polyester or stainless steel: customer specific solutions on request

Technical Data	
Explosion Protection	
IECEx gas explosion protection	Ex nA [ia Ga] IIC T4 Gc
IECEx dust explosion protection	[Ex ia Da] IIIC
ATEX gas explosion protection	⊕ II 3 (1) G Ex nA [ia Ga] IIC T4 Gc
ATEX dust explosion protection	⊕ II (1) D [Ex ia Da] IIIC
EAC gas explosion protection	⊕ 2 Ex nA nC IIC T4 Gc X
EAC dust explosion protection	⊕ [Ex ia Da] IIIC
Certificates	ATEX (BVS), Brazil (ULB), Canada (FM), EAC (Sertium), IECEx (BVS), India (PESO), International (FF), USA (FM)
Auxiliary Power	
Power dissipation max.	1.8 W
Notes	Auxiliary power is not necessary, the field device coupler will be supplied by the trunk

Technical Data	
Input	
Voltage range Trunk	16 – 32 V
Output	
Output current	0 mA ... 41 mA; per spur
Output voltage	Min. 10 V at 41 mA
Ambient Conditions	
Ambient temperature	-40 °C ... +75 °C
Mechanical Data	
Field enclosure	Without, DIN rail mounting

Technical Drawings – Subject to Alterations



Connection diagram

Accessories

Figure	Description	Art. No.	Weight kg
Earthing bar set for 4 Spurs			
	Earthing bar 9411 spring terminal strap with 6 terminals	202774 ▲	0.128
Earthing bar set for 4 Spurs			
	Earthing bar 9411 screw terminals	161929 ▲	0.080
Fieldbus Power Supply			
	Fieldbus power supply and diagnostics	200586	0.135
Fieldbus Wizard Engineering Tool			
	Engineering tool for segment design of Foundation Fieldbus or Profibus PA fieldbus installations Download under www.fieldbus-solutions.info	-	-

Dimensional Drawings (All Dimensions in mm [inches]) – Subject to Alterations

A5

