



- Corrosion-resistant, GRP Ex d enclosure
- Light weight enclosure
- Weather-resistant high performance red paint finish as standard, other colours available
- Break glass version supplied with test key
- Push button version supplied with reset key and lift flap
- Optional extras include stainless steel lift flap, duty and tag labels

E5

WebCode MCPA







Yodalex range

Conventional manual call points designed for use in Hazardous or harsh environments. The devices provide a manual interface emergency switch for a number of applications. MCP BG is a single action break glass device which is activated by breaking the frangible glass pane on the front side of the call point; this provides the user with a distinct trigger signal. MCP PB is a latching, double action, push button call point. Both devices can be equipped with a number of variants and accessories.

	ATEX / IECEx					
Zone	0	1	2	20	21	22
Installation in		•	•		•	•

Selection Table						
Version			Cullet			
Contacts			1 change-over contact			
Figure	Enclosure colour	Certificates	Product Type	Art. No.	PS	Weight kg
	Blue (RAL 5015)	ATEX (BAS), Brazil (ULB), IECEx (BAS), India (PESO)	MCP/BG/SP/Ex/A+B+C+D/EU/B	205330	80	1.530
	Green (RAL 6032)	ATEX (BAS), Brazil (ULB), IECEx (BAS), India (PESO)	MCP/BG/SP/Ex/A+B+C+D/EU/G	214077	80	1.530
	Red (RAL 3001)	ATEX (BAS), Brazil (ULB), IECEx (BAS), India (PESO)	MCP/BG/SP/Ex/A+B+C+D/EU/R	205324 ▲	80	1.530
		EAC (TehnoP), Russian Federation (TPB SER)	MCP/BG/SP/EX/A+B+C+D/RU/R	212402	80	1.530
	Yellow (RAL 1018)	ATEX (BAS), Brazil (ULB), IECEx (BAS), India (PESO)	MCP/BG/SP/EX/A+B+C+D/EU/Y	253095	80	1.530

Selection Table

Version Contacts		Pushbutton 1 change-over contact				
Figure	Enclosure colour	Certificates	Product Type	Art. No.	PS	Weight kg
	Orange (RAL 2004)	ATEX (BAS), Brazil (ULB), IECEx (BAS), India (PESO)	MCP/PB/SP/Ex/A+B+C+D/EU/O	259849	80	1.570
	Red (RAL 3001)	ATEX (BAS), Brazil (ULB), IECEx (BAS), India (PESO)	MCP/PB/SP/Ex/A+B+C+D/EU/R	205334 ▲	80	1.570
		EAC (TehnoP), Russian Federation (TPB SER)	MCP/PB/SP/Ex/A+B+C+D/RU/R	206660	80	1.570
	Yellow (RAL 1018)	ATEX (BAS), Brazil (ULB), IECEx (BAS), India (PESO)	MCP/PB/SP/Ex/A+B+C+D/EU/Y	258628	80	1.570
		EAC (TehnoP), Russian Federation (TPB SER)	MCP/PB/SP/Ex/A+B+C+D/RU/Y	208869	80	1.570
Version Contacts		Pushbutton 2 change-over contacts				
Figure	Enclosure colour	Certificates	Product Type	Art. No.	PS	Weight kg
	Red (RAL 3001)	ATEX (BAS), Brazil (ULB), IECEx (BAS), India (PESO)	MCP/PB/DP/Ex/A+B+C+D/EU/R	208629	80	1.570

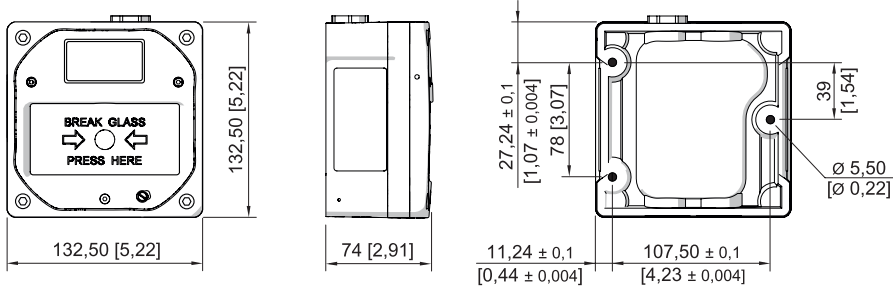
Technical Data

Explosion Protection	
Ambient temperature °C	-40 ... +70 °C
Gas explosion protection IECEx	Ex d IIC T6 Gb
Gas explosion protection ATEX	Ⓔ II 2 G Ex d IIC T6 Gb
Dust explosion protection IECEx	Ex tb IIIC TT85 °C Db
Dust explosion protection ATEX	Ⓔ II 2 D Ex tb IIIC TT85 °C Db
Electrical Data	
Rated operational voltage AC	12 – 250 V
Rated operational voltage DC	12 – 50 V
Mechanical Data	
Degree of protection IP (IEC 60529)	IP66
Enclosure material	Polyester (GRP), Glass fibre reinforced
Components	
Drilled holes	4 x M20
Screw connections	Can be ordered as accessories
Stopping plug	3 x M20 x 1.5
Stopping plug material	Brass

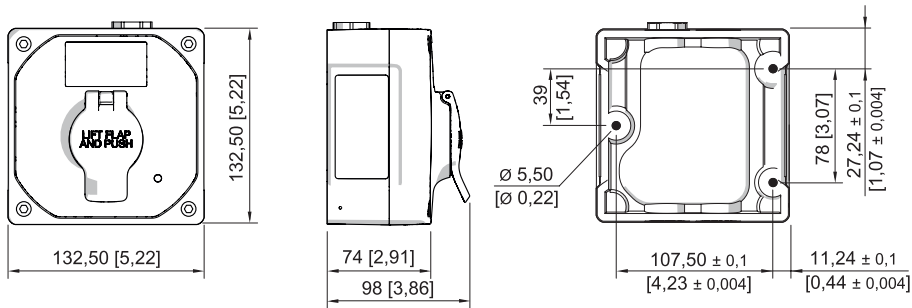
You can find more technical data online at r-stahl.com. WebCode MCPA

Accessories and Spare Parts

Figure	Description	Art. No.	Weight kg
	Cable glands made of metal		



Break glass manual call point



Push button manual call point