



- Simple, front-end parameterization
- Bit refresh function improves signal quality
- Adjustable transmission speeds of 1.2 kbit/s and 1.5 Mbit/s - automatic with PROFIBUS DP
- Field interface Ex i

A6

WebCode **9185A**



9185/11 series fieldbus isolating repeaters are the interface between intrinsically safe and non-intrinsically safe PROFIBUS DP segments, Modbus RTU segments and other similar fieldbus segments. These devices galvanically separate intrinsically safe bus interfaces (RS-422/RS-485) from non-intrinsically safe interfaces (RS-232, RS-422 or RS-485).

	ATEX / IECEx						NEC 505						NEC 506						NEC 500					
	Class I		Class II		Class III		Class I		Class II		Class III		Class I		Class II		Class III		Class I		Class II		Class III	
Zone	0	1	2	20	21	22	0	1	2	20	21	22	1	2	1	2	1	2	1	2	1	2	1	2
Ex interface		•	•		•	•		•	•				•	•	•	•	•	•	•	•	•	•	•	•
Installation in			•			•		•			•			•		•		•		•		•		•

Selection Table						
Product Description	Fieldbus isolating repeater ISpac					
Field side of interfaces	Safe interface area	Product Type	Art. No.	PS	Weight kg	
RS 422 Ex i RS 485 Ex i	RS 232, RS 422, RS 485	9185/11-45-10s	227599	21	0.350	
RS-485 IS (PNO)	RS 232, RS 422, RS 485	9185/11-35-10s	227598	21	0.350	







Technical Data	
Explosion Protection	
Gas explosion protection IECEx	Ex nA [ib Gb] IIC T4 Gc
Gas explosion protection ATEX	⊕ II 3 (2) G Ex nA [ib Gb] IIC T4 Gc
Gas explosion protection EAC	2 Ex nA [ib Gb] IIC T4 Gc X
Dust explosion protection IECEx	[Ex ib Db] IIIC
Dust explosion protection ATEX	⊕ II (2) D [Ex ib Db] IIIC
Dust explosion protection EAC	[Ex ib Db] IIIC
Certificates	ATEX (BVS), Canada (FM), EAC (STV), IECEx (BVS), India (PESO), USA (FM)
Ship approval	CCS, DNVGL
Electrical Data	
Connections	Sub-D socket X3, 9-pole (Interface field area)
Interface settings	Fixed transmission speed or automatic detection > 9.6 kbit/s (only with Profibus DP)
Electrical interface data rate	1.2 kbps - 1.5 Mbps

Technical Data

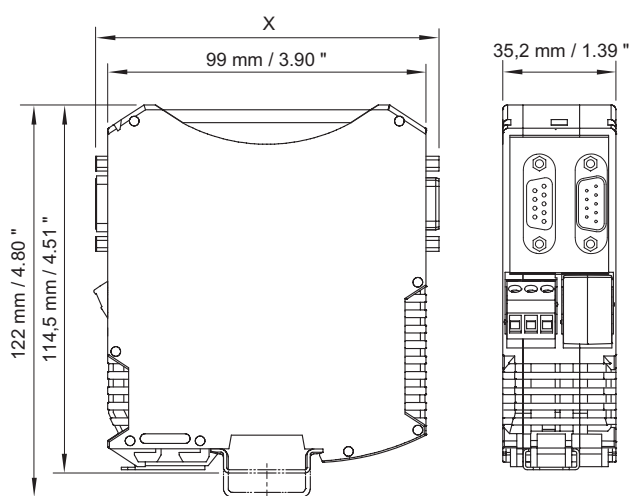
Auxiliary Power

Auxiliary power 24 V AC / DC

Accessories and Spare Parts

Figure	Description	Art. No.	Weight kg
Cable for PROFIBUS DP, RS 485, RS485-IS			
	Cable type: BUS 4000-C-PE 2x0,64mm 02YS(St) CY2Y Colour (sheath): black Application area: Outdoor Installation outdoors and directly in the ground, UV-resistant	105444	0.300
Cable for PROFIBUS DP, RS485-IS			
	Cable type: 02YS(St) CHSH Colour (sheath): blue Application area: Offshore Halogen-free, steel wire braid armoured cable	105400	0.001
	Cable type: BUS 4000-C-PVC 2x0,64mm 02YS(St) CY Colour (sheath): blue Application area: Indoor Standard type for indoor installation	105437	0.001
SUB-D socket			
	9-pin for connection of the fieldbus or ServiceBus to the CPU & power module Series 9440/22 and fieldbus-isolating repeater 9185. Integrated terminator can be switched on or off. For RS 485 IS to PNOstandard.	162693 ▲	0.100
Sub-D plug + PG interface			
	9-pin for connection of the fieldbus or ServiceBus to the CPU & power module Series 9440/15 and fieldbus-isolating repeater 9185. Integrated terminator can be switched on or off. For non-intrinsically safe RS-485.	105715 ▲	0.001
Sub-D plug, angled			
	9-pin, for connection of fieldbus or ServiceBus to CPU & Power Module Type 9440/12 and fieldbus isolating repeater Type 9185. The termination resistance is built-in. Suitable for RS-485 IS (PNO standard).	201805	0.050

Dimensional Drawings (All Dimensions in mm [inches]) – Subject to Alterations

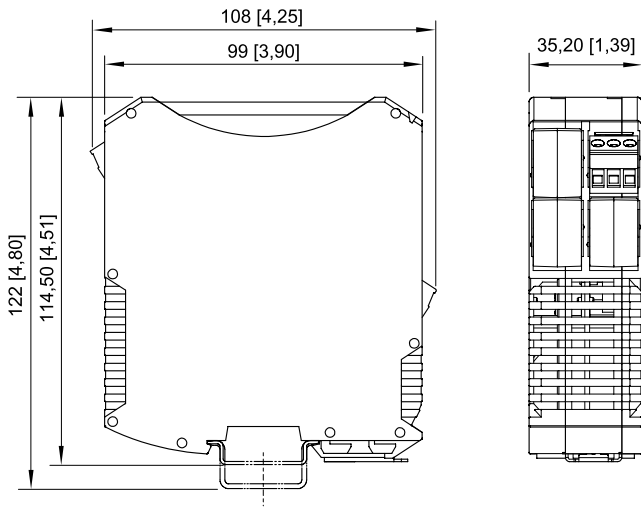


Fieldbus Isolating Repeater

Series 9185/11 with an Intrinsically Safe Interface



A6



ISpac Series 9143, 9185, 9192 with screw terminal